

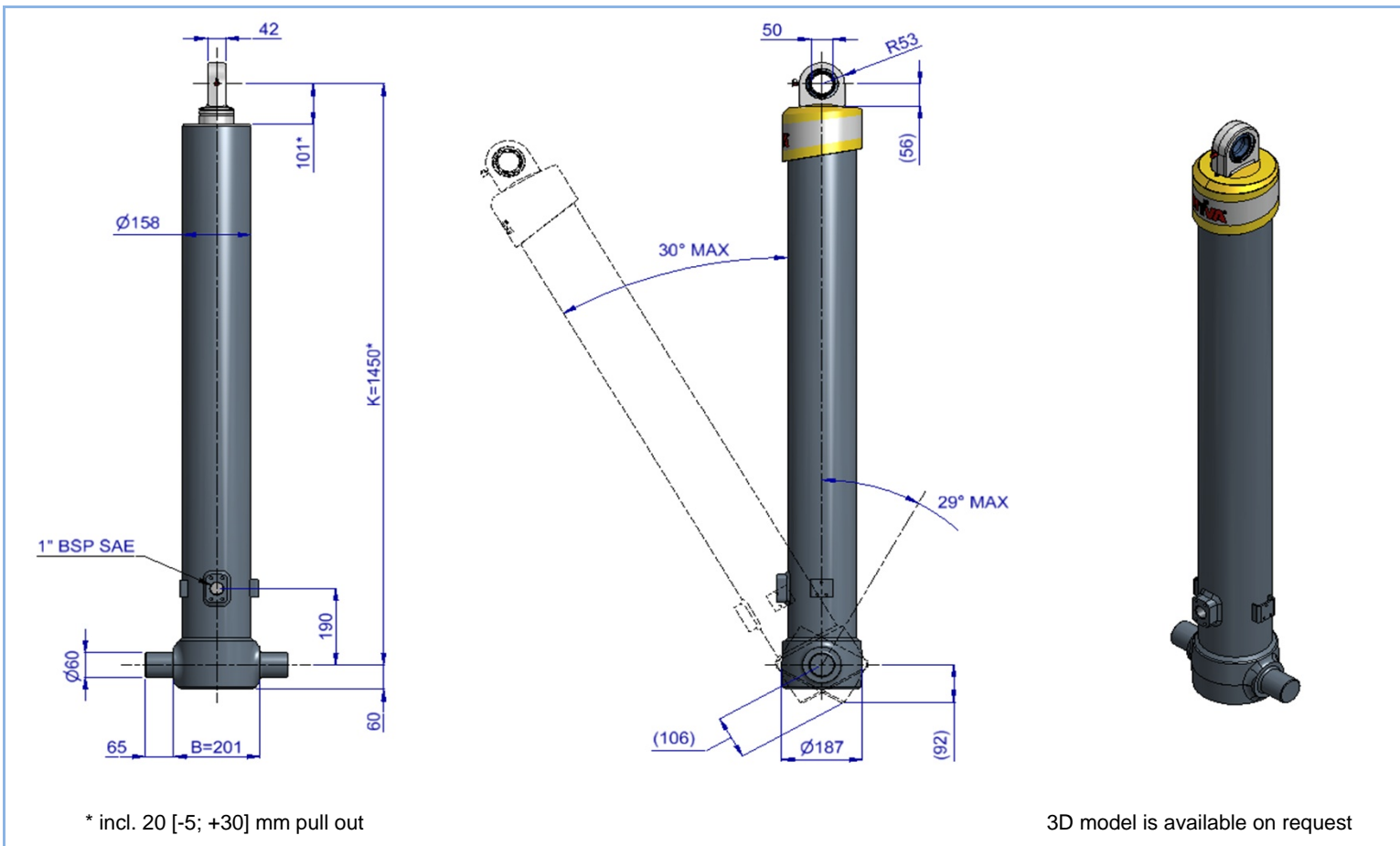
Alpha series - Front end cylinder with single eye



FE A137-4-04525-001-K1450-HD

Item no.
Tipping weight

70135292
35 - 52 ton



* incl. 20 [-5; +30] mm pull out

3D model is available on request

Specifications

Max. working pressure	250 bar	Max. pump flow (with KO)	151 L/min	Resulting tipping time (with KO)	17 sec
Weight	154 kg	Max. pump flow (without KO)	106 L/min	Resulting tipping time (without KO)	24 sec
Working volume	43 L			Allowable lowering time	14 sec
Total volume	47 L				
Max. cyl. load (start tipping)	220 kN				

KO: Hyva pneumatic knock off

Extension	1	2	3	4	5	6	7	Total
Effective diameter [mm]	137	118	99	80				
Stroke* [mm]	1110	1135	1140	1140				4525

Technical notes

- This cylinder is a lifting device only. It should not be used as a structural member and should not be subjected to side loads.
- When the cylinder is mounted at an angle, the maximum tipping weight could be reduced.
- Maximum backwards angle of rotation during operation is 29 deg.
- Working pressure depends on the application, but must never exceed the maximum working pressure stated.
- Working temperature range is between -40°C and +80°C.
- Maximum duration of extension is 0.5 hours (excluding hard chromed stages).
- Cylinder is painted black (RAL9005) with a thickness conforming to the 480 hours neutral salt spray test as per ISO 9227 (ISO 10289, rating 9).

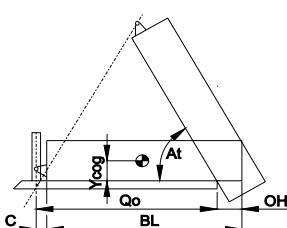
Related documentation

Bracket options: 015BRA10 & 015BRA13

Mounting instructions: CYL-0031

Oil specifications: OIL-0011

Tipping weight



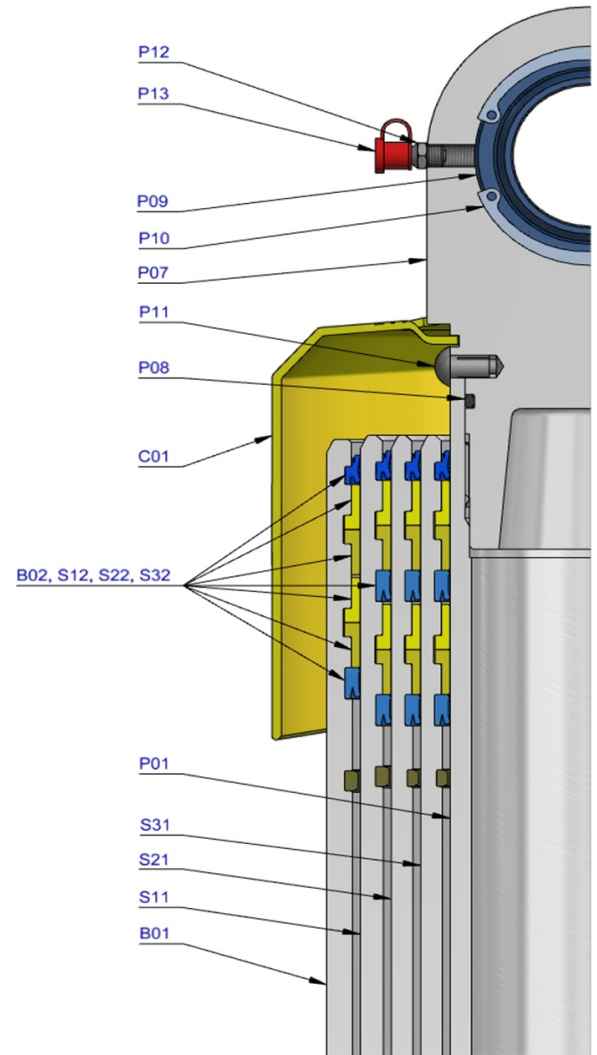
BL	body length
OH	rear overhang
Ycog	vert. pos. centre of gravity
Qo	pivot length
C	bracket length
At	tipping angle
	stroke x 60 / Qo

	BL	6000			5850			5700		
OH	200	500	800	200	500	800	200	500	800	
At	46	48	51	47	50	53	48	51	55	
Ycog										
Qo	600	35	40	45	36	41	47	37	42	49
C	900	39	44	52	40	46		41	48	
At	1200	42	50		44			46		

Tipping weight at maximum pressure of 250 bar for a vertically mounted cylinder and C is 158 mm

For detailed tipping calculations please refer to: <https://tipper.hyva.com>

Pos.	Part no.	Description	Qty.
C01	71839111	DUST COVER FE 129-4/137-4	1
P01	70472371	PISTON MN2 S 080-1365-HD-HC	1
P02	70207080 K	SLIDER MN 080 (2 x 1/2) A35	1
P03	70216080 K	OUTER STOPRING MN 080 A22	2
P04	70230080	BOTTOM PLATE PISTON MN 080 MK2 HD	1
P05	01745030 K	CIRCLIP 67 DIN 472 (71.5x2.5)	1
P06	70260210 K	O-RING PISTON BOTTOM 080	1
P07	70235301	PISTON EYE SPH. MN 080 MK2 L=075 GR	1
P08	70260110 K	O-RING 63.09 X 3.53 MM	1
P09	01770085 K	SPHERICAL BEARING D.50 DO GREASED	1
P10	01770560 K	CIRCLIP 75 GE 50 DO DIN 472	1
P11	71875012	PIN ROUND HEAD GROOVED 8x15 mm	2
P12	56288044 K	GREASE NIPPLE M8x1 DIN 71412	1
P13	01317670 K	GREASER PROTECTION CAP	1

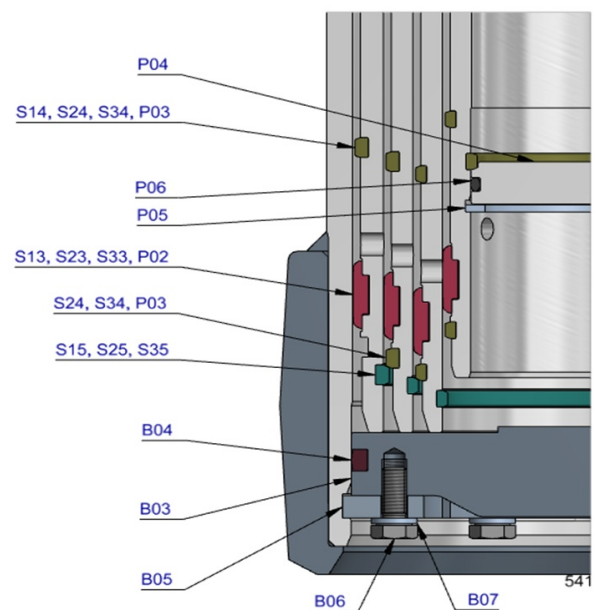


S31	70673370	STAGE MN2 099-1360-HD	1
S32	70202099 K	PACKSET MN 099 TANDEM SEAL	1
S33	70207099 K	SLIDER MN 099 (2 x 1/2) A35	1
S34	70216099 K	OUTER STOPRING MN 099 A22	2
S35	70217099 K	LIFTRING MN 099 A22	1

S21	70674370	STAGE MN2 118-1360-HD	1
S22	70202118 K	PACKSET MN 118 TANDEM SEAL	1
S23	70207118 K	SLIDER MN 118 (2 x 1/2) A35	1
S24	70216118 K	OUTER STOPRING MN 118 A22	2
S25	70217118 K	LIFTRING MN 118 A22	1

S11	70675370	STAGE MN2 137-1360-HD	1
S12	70202137 K	PACKSET MN 137 TANDEM SEAL	1
S13	70207137 K	SLIDER MN 137 A35	1
S14	70216137 K	OUTER STOPRING MN 137 A22	1
S15	70217137 K	LIFTRING MN 137 A22	1

B01	70376370	BASE MN2 157-1399-4/4BSAE-190-HD	1
B02	70203157 K	PACKSET MN 157	1
B03	70225355	BOTTOM PLATE MN2 157	1
B04	70270157 K	SEAL BOTTOM PLATE MN 157	1
B05	70220157	LOCKING PLATE MN 157	3
B06	01732055 K	BOLT HEX M8X20X1.25 SET 6PCS	1
B07	01732559 K	WASHER SPRING M8 SET 6PCS	1



Seal kit complete

	71907541 K	Consists of all packsets with packset grease and O-rings	
--	------------	--	--

Notes

The inner, outer stoprings and liftrings are pre-mounted in the grooves on spare stages and pistons. Therefore, when ordering new tubes, it is not required to order stoprings separately.

For repair instructions see: CYL-0041. Serial no. is located on type plate and below type plate support.