

HYVA CYLINDER

714 07 589



type: **UMB 191-8-2060-K278-60-3/4"-HC**

tipping weight: **8-24 ton**

page # 1 / 2

Stage diameters	front view cylinder		A	245
191			ØC	215
169		G¹	503	
149		I	225	
129		K¹	278	
110		M¹	114	
91		ØP	100	
72		ØQ	65	
53		S	249	
		ØW	60	
		X	45	

¹including 20 mm pull-out [tol. -5; +30 mm]

²cylinder is delivered including oil inlet swivel adapter and cup

specifications

total stroke ¹	2060 mm
dry weight cylinder only	98 kg
total volume	29.0 L
working volume	26.7 L
maximum pressure	220 bar
maximum pump flow	33 l/min
maximum allowable thrust first stage ³	20.0 ton
oil inlet	3/4" BSP

technical notes

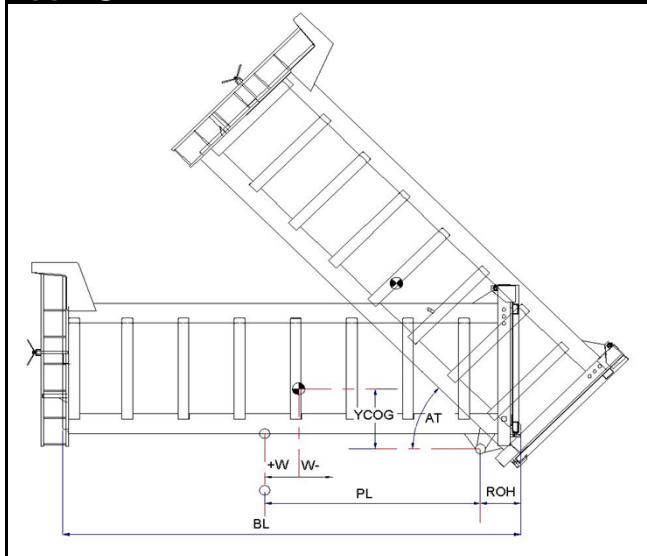
This cylinder is a lifting device only and may not be used as a structural member or be subjected to side load. Sideload and/or poor alignment might result in cylinder leakage. Hyva therefore strongly recommends the use of a cradle, even in instances where the cylinder only tips to the rear or to the side. The cylinder is painted black RAL9005.

For suitable hydraulic oils, please refer to data sheet OIL-0011. For details of available brackets and cradles, please refer data sheet 015BRA06.

Detailed calculations can be made using the HYVA Tipper Program, freely available from tipper.hyva.com.

³The cylinder thrust on the first stage (from the HYVA Tipper Program) must not exceed the maximum allowable (see specifications above).

tipping view



tipping weight

PL	2690			mm	2380		
YCOG	700			mm	700		
ROH	700			mm	700		
BL	6780	6160	5650	mm	6160	5600	5130
CYL w.r.t. COG (W)	0	310	570	mm	0	280	510
	Tipping weight for full stroke of 46°				Tipping weight for full stroke of 52°		
Tipping weight	8	9	11	ton	9	11	13
	Tipping weight for second last stage, up to 40°				Tipping weight for 2nd last stage, up to 46°		
Tipping weight	13	17	20	ton	15	20	24

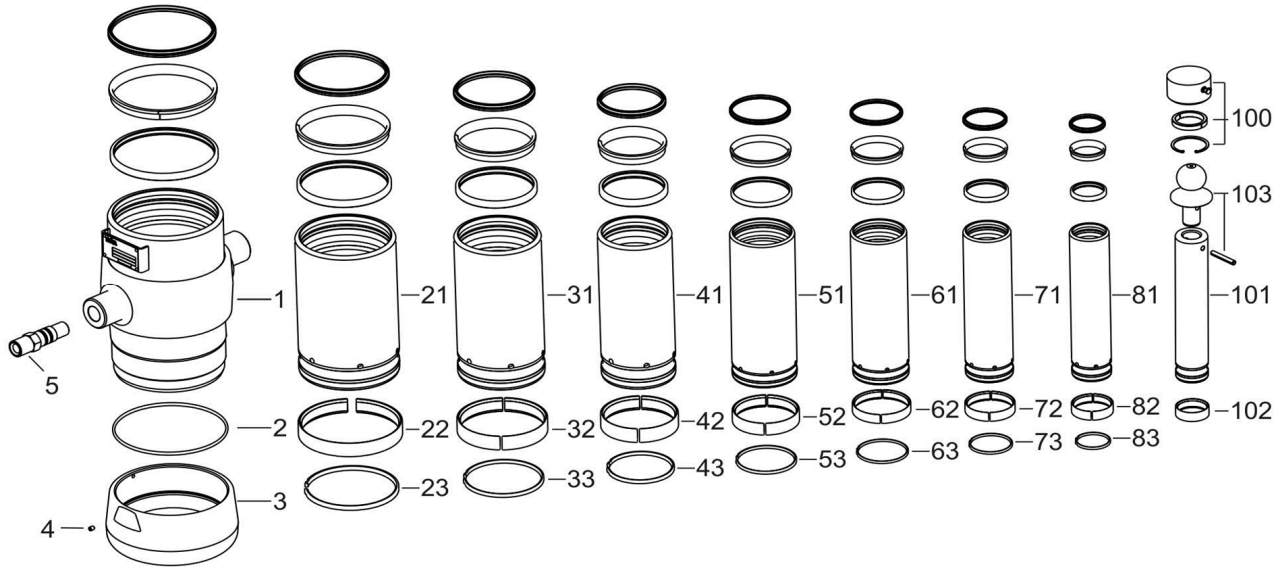
HYVA CYLINDER

714 07 589

type

UMB 191-8-2060-K278-60-3/4"-HC

page # 2 / 2



Spare part list

Pos	Part no.	Description	Qty.
1	73508200	BASE 214-0358-N0164	1
2	01226840	O-RING 208 X 4 70 SHORE	1
3	73101060	THREADED BOTTOM UM 214	1
4	01792571	LOCKING SCREW M6X12 INT. HEX. DIN 916	1
5	73103002	OIL INLET ADAPTOR UM 3/4"OT+O-RING	1
21	73607201	STAGE 191-0358-HC	1
22	71807191 K	SLIDER FL 191	1
23	71813191 K	LIFTRING FL 191x5	1
31	73606201	STAGE 169-0358-HC	1
32	71807169 K	SLIDER FL 169	1
33	71813169 K	LIFTRING FL 169x5	1
41	73605201	STAGE 149-0358-HC	1
42	71807149 K	SLIDER FL 149	1
43	71812149 K	LIFTRING FL 149/HP 150	1
51	73604201	STAGE 129-0358-HC	1
52	71807129 K	SLIDER FL 129/GF 129 (2 X 1/2)	1
53	71812129 K	LIFTRING FL 129/HP 129	1

Spare part list

Pos	Part no.	Description	Qty.
61	73603201	STAGE 110-0358-HC	1
62	71807110 K	SLIDER FL 110/GF 110 (2 X 1/2)	1
63	71812110 K	LIFTRING FL 110	1
71	73602201	STAGE 091-0358-HC	1
72	71807091 K	SLIDER FL 091 (2 X 1/2)	1
73	71812091 K	LIFTRING FL 091	1
81	73601201	STAGE 072-0358-HC	1
82	71807072 K	SLIDER FL 072 (2 X 1/2)	1
83	71810072 K	INNER STOPRING/LIFTRING FL 072	1
100	01745102	RETAINER KIT UMB D.65	1
101	73400205	PISTON F 053-0358-HC	1
102	71807053 K	SLIDER FL 053 (2 X 1/2)	1
103	73102040	SPHERE FLANGED UMB 65	1
	01745805	SPRING PIN 10X50 ISO 8752 HEAVY DUTY	1

Seal kit complete

Part no.	Description
719 04 780K	Complete packset: Consists of all packsets with packset grease and o-ring.