

Hyva Hoses & Adapters

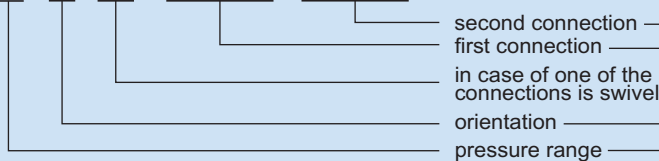
Straight adapters

Hyva Adapters

No hydraulic kit can be installed without the use of adapters to match hydraulic components to each other. Listed is the main stream of adapters in our range.

Code system adapters

Adapter HP - 00 - SW - 1/4" BSPOT - 1/4" BSPIT

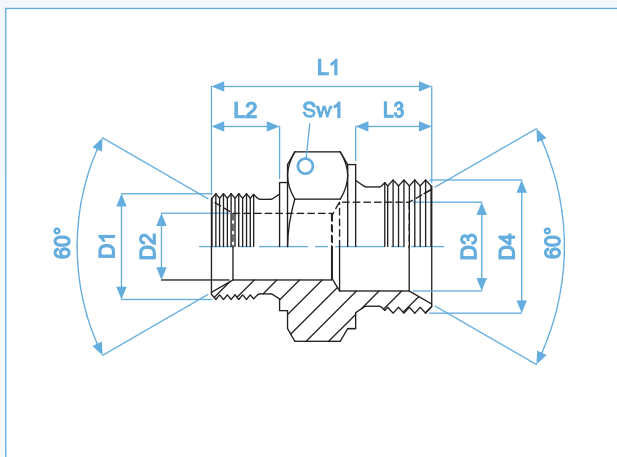


second connection
first connection
in case of one of the connections is swivel
orientation
pressure range

- BSPIT = B.S.P. inner thread
- BSPOT = B.S.P. outer thread
- BSPOTC = B.S.P. outer thread with cone 60°
- BSPOTF = B.S.P. outer thread flat faced
- BSPP = B.S.P. parallel thread
- BSPT = B.S.P. tapered thread
- PIPE = connection for pipe
- 00 = straight 45 = 45°
- 90 = 90° T = T-piece
- HP = High Pressure
- LP = Low Pressure
- PN = Pneumatic

Straight adapters BSPOT - BSPOT

part no.	description	L1 (mm)	L2 (mm)	L3 (mm)	D1 (")	D2 (mm)	D3 (mm)	D4 (")	Sw1 (mm)
013 17 690	Adapter HP - 00 - 3/8" BSPOTC - 3/8" BSPOTC	34	11	11	3/8"	9,5	9,5	3/8"	22
013 17 805	Adapter HP - 00 - 3/8" BSPOTC - 1/2" BSPOTC	39	13	16	3/8"	8,5	11,0	1/2"	27
013 17 700	Adapter HP - 00 - 3/8" BSPOTC - 3/4" BSPOTC	42	13	16	3/8"	8,0	16,5	3/4"	32
012 21 838	Adapter HP - 00 - 1/2" BSPOTC - 1/2" BSPOTC	42	16	16	1/2"	11,0	11,0	1/2"	27
013 17 714	Adapter HP - 00 - 1/2" BSPOTC - 3/4" BSPOTC	45	16	18	1/2"	11,0	16,5	3/4"	32
012 22 661	Adapter HP - 00 - 3/4" BSPOTC - 3/4" BSPOTC	47	18	18	3/4"	16,0	16,0	3/4"	32
147 99 080	Adapter HP - 00 - 3/4" BSPOTC - 1" BSPOTC	49	18	18	3/4"	17,0	22,0	1"	41
013 17 933	Adapter HP - 00 - 1" BSPOTC - 1" BSPOTC	49	19	19	1"	22,0	22,0	1"	41
012 22 107	Adapter HP - 00 - 1" BSPOTC - 1 1/4" BSPOTC	51	19	20	1"	22,0	29,5	1 1/4"	50
147 99 093	Adapter HP - 00 - 1 1/4" BSPOTC - 1 1/4" BSPOTC	53	20	20	1"	30,0	30,0	1 1/4"	50

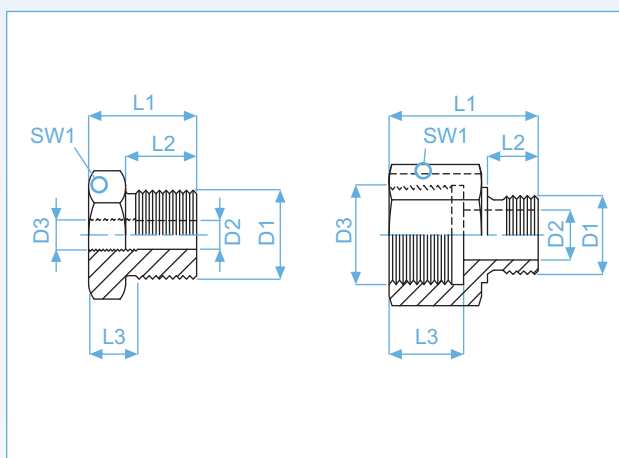


Hyva Hoses & Adapters

Straight adapters

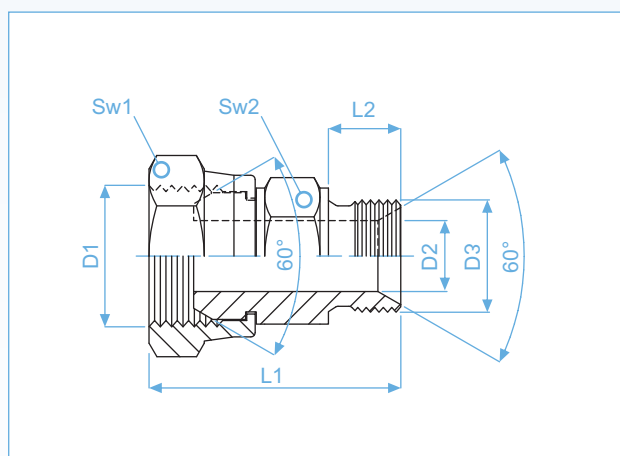
Straight adapters BSPOT - BSPIT

part no.	description	L1 (mm)	L2 (mm)	L3 (mm)	D1 (")	D2 (mm)	D3 (")	Sw1 (mm)
149 58 010	Adapter HP - 00 - 1/2" BSPOT - 1/4" BSPIT	24	14	10	1/2"	12	1/4"	27
149 58 000	Adapter HP - 00 - 3/4" BSPOT - 3/8" BSPIT	26	15	13	3/4"	15	3/8"	32
149 58 112	Adapter HP - 00 - 3/4" BSPOT - 1/2" BSPIT	26	15	13	3/4"	16	1/2"	32
149 58 095	Adapter HP - 00 - 1" BSPOT - 1/4" BSPIT	29	18	13	1"	11,5	1/4"	41
149 58 100	Adapter HP - 00 - 1" BSPOT - 1/2" BSPIT	29	18	17	1"	19	1/2"	41
149 58 102	Adapter HP - 00 - 1" BSPOT - 3/4" BSPIT	49	19	21	1"	30	3/4"	41
149 58 120	Adapter HP - 00 - 1 1/4" BSPOT - 1" BSPIT	52	20	24	1 1/4"	25	1"	50



Straight Swivel adapter BSPIT - BSPOT

part no.	description	L1 (mm)	L2 (mm)	D1 (")	D2 (mm)	D3 (")	Sw1 (mm)	Sw2 (mm)
012 23 650	Adapter HP - 00 - SW - 3/4" BSPIT - 1/2" BSPOTC	49	15	3/4"	11	1/2"	27	32
012 22 909	Adapter HP - 00 - SW - 3/4" BSPIT - 3/4" BSPOTC	51	17	3/4"	17	3/4"	32	32
012 23 677	Adapter HP - 00 - SW - 1" BSPIT - 3/4" BSPOTC	53	18	1"	17	3/4"	41	32
147 99 108	Adapter HP - 00 - SW - 1" BSPIT - 1" BSPOTC	56	19	1"	22	1"	41	41

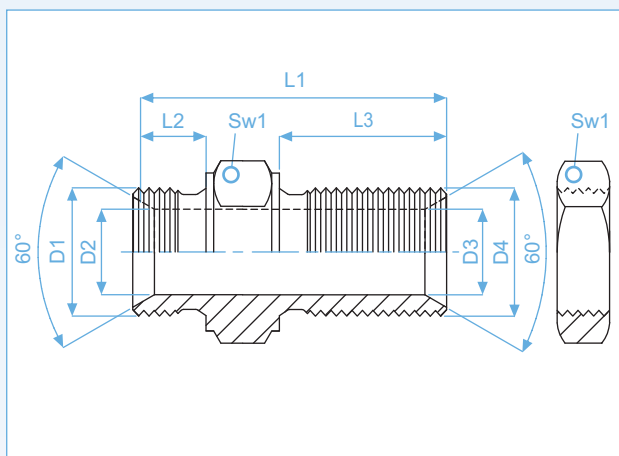


Hyva Hoses & Adapters

Straight adapters

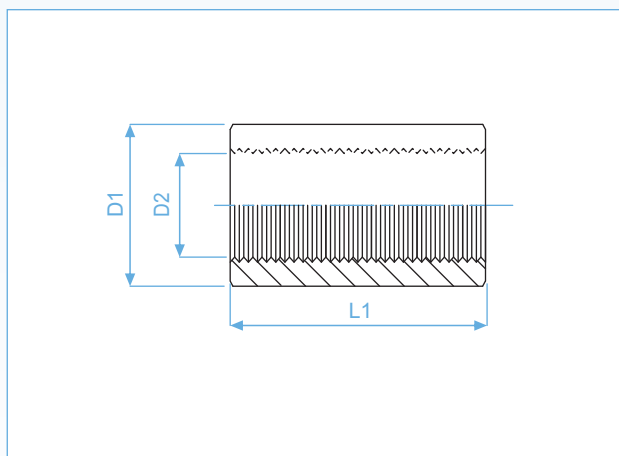
Straight Bulkhead adapter BSPOT - BSPOT

part no.	description	L1 (mm)	L2 (mm)	L3 (mm)	D1 (")	D2 (mm)	D3 (mm)	D4 (")	Sw1 (mm)
149 50 180	Adapter HP - 00 - 3/4" BSPOTC - 3/4" BSPOTC - BH	65	16	38	3/4"	16	16	3/4"	32
149 50 181	Adapter HP - 00 - 1" BSPOTC - 1" BSPOTC - BH	73	18	43	1"	22	22	1"	41
013 17 946	Adapter HP - 00 - 1" BSPOTC - 1" BSPOTC - BH	85	19	50	1"	22	22	1"	41
149 50 182	Adapter HP - 00 - 1 1/4" BSPOTC - 1 1/4" BSPOTC - BH	74	20	40	1 1/4"	29	19	1 1/4"	52



Threaded bush BSPIT

part no.	description	L1 (mm)	D1 (mm)	D2 (")
092 23 002	Adapter HP - 00 - 1" BSPIT - 1" BSPIT - L=70	70	45	1"
092 23 003	Adapter HP - 00 - 1" BSPIT - 1" BSPIT - L=25	25	45	1"
092 23 010	Adapter HP - 00 - 3/4" BSPIT - 3/4" BSPIT - L=37	37	32	3/4"

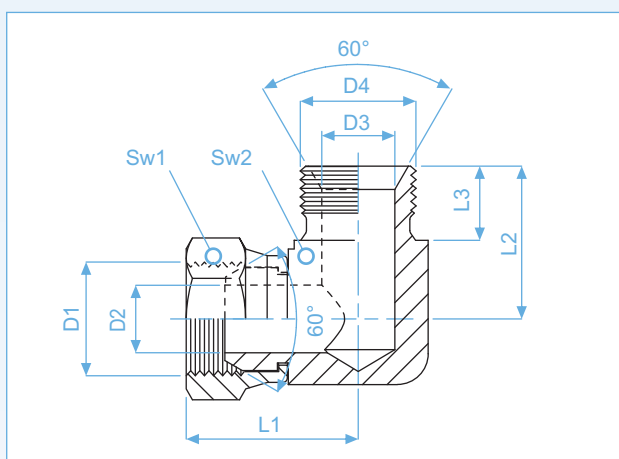


Hyva Hoses & Adapters

90° adapters

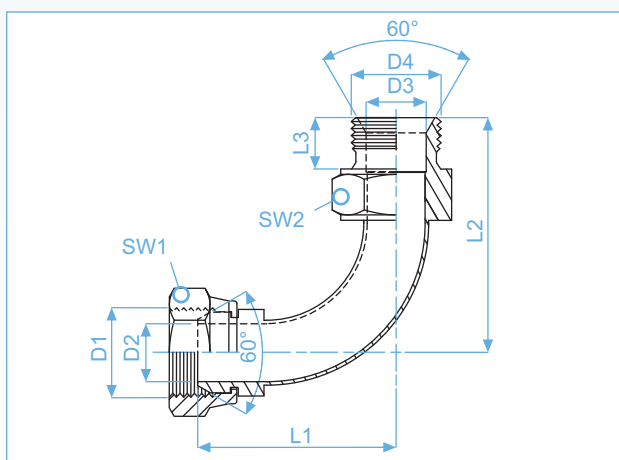
90° Swivel adapter BSPIT - BSPOT

part no.	description	L1 (mm)	L2 (mm)	L3 (mm)	D1 (")	D2 (mm)	D3 (mm)	D4 (")	Sw1 (mm)	Sw2 (mm)
013 17 971	Adapter HP - 90 - SW - 1/2" BSPIT - 1/2" BSPOTC	35	36	16	1/2"	10	11	1/2"	27	24
013 17 969	Adapter HP - 90 - SW - 3/4" BSPIT - 3/4" BSPOTC	40	37	17	3/4"	17	17	3/4"	32	27
147 99 054	Adapter HP - 90 - SW - 1" BSPIT - 3/4" BSPOTC	45	40	17	1"	22	17	3/4"	41	35
013 17 982	Adapter HP - 90 - SW - 1" BSPIT - 1" BSPOTC	45	43	18	1"	22	22	1"	41	35



Elbow Swivel adapter BSPIT - BSPOT

part no.	description	L1 (mm)	L2 (mm)	L3 (mm)	D1 (")	D2 (mm)	D3 (mm)	D4 (")	Sw1 (mm)	Sw2 (mm)
013 17 962	Adapter HP - 90 - SW - 3/8" BSPIT - 3/8" BSPOTC - EL	35	58	13	3/8"	8	9	3/8"	22	22
013 17 970	Adapter HP - 90 - SW - 1/2" BSPIT - 1/2" BSPOTC - EL	52	50	14	1/2"	10	13	1/2"	27	27
013 17 973	Adapter HP - 90 - SW - 3/4" BSPIT - 3/4" BSPOTC - EL	57	65	18	3/4"	16	16	3/4"	32	32
013 17 974	Adapter HP - 90 - SW - 1" BSPIT - 1" BSPOTC - EL	73	73	19	1"	21	21	1"	41	41

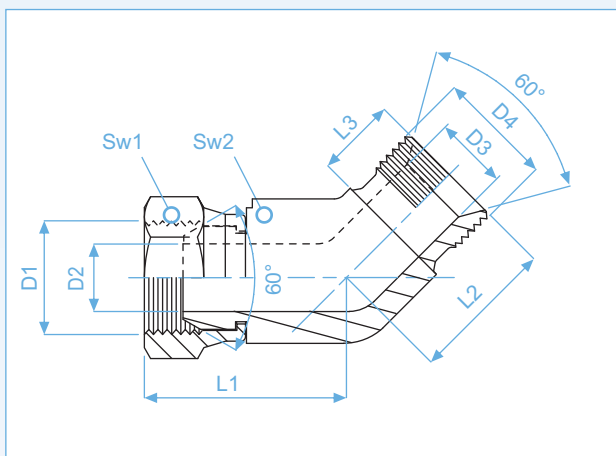


Hyva Hoses & Adapters

45° adapters & bushes

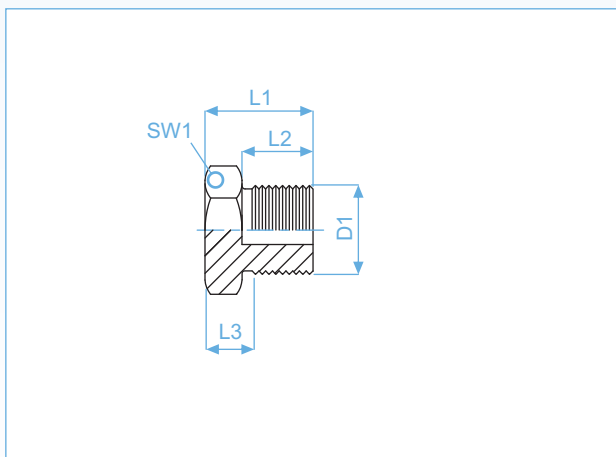
45° Swivel adapter BSPIT - BSPOT

part no.	description	L1 (mm)	L2 (mm)	L3 (mm)	D1 (")	D2 (mm)	D3 (mm)	D4 (")	Sw1 (mm)	Sw2 (mm)
013 18 410	Adapter HP - 45 - SW - 3/4" BSPIT - 3/4" BSPOTC	38	28	15	3/4"	15	15	3/4"	32	32
013 17 815	Adapter HP - 45 - SW - 1" BSPIT - 1" BSPOTC	44	37	24	1"	22	22	1"	41	35



Plug

part no.	description	L1 (mm)	L2 (mm)	L3 (mm)	D1 (")	Sw1 (mm)	Allen (mm)
147 99 175	Adapter HP - 00 - 1/2" BSPOT - plug allen PT-valve	10	10	-	1/2"	-	10
147 99 180	Adapter HP - 00 - 1/2" BSPOT - plug allen	18	13	8	1/2"	-	10
017 02 838	Adapter HP - 00 - 1/2" BSPOT - plug	27	12	17	1/2"	27	-
017 02 841	Adapter HP - 00 - 3/4" BSPOT - plug	28	18	15	3/4"	32	-
017 02 853	Adapter HP - 00 - 1" BSPOT - plug	30	19	16	1"	41	-
147 99 190	Adapter HP - 00 - 1" BSPOT - plug allen	21	16	9	1"	-	17
017 02 856	Adapter HP - 00 - 1 1/4" BSPOT - plug	32	20	17	1 1/4"	20	-

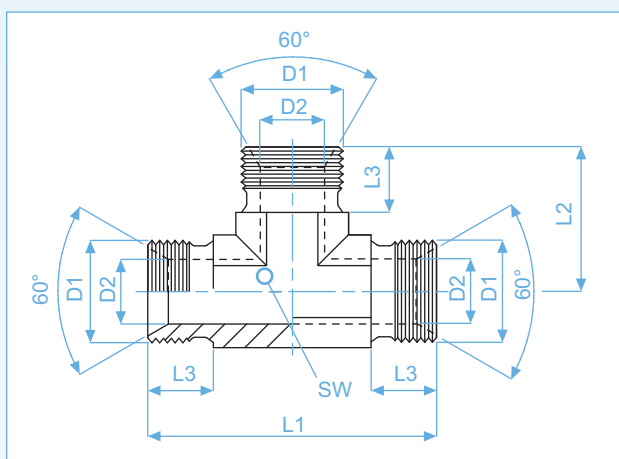


Hyva Hoses & Adapters

T-pieces

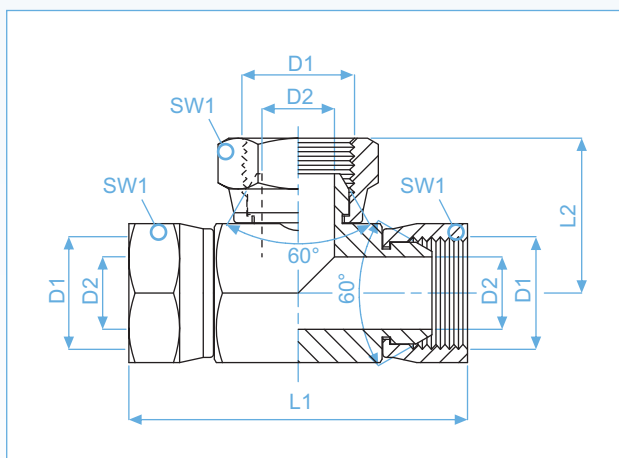
T-piece BSPOT

part no.	description	L1 (mm)	L2 (mm)	L3 (mm)	D1 (")	D2 (mm)	Sw1 (mm)
013 18 292	Adapter HP - T - 3/8" BSPOTC (3x)	52	26	11	3/8	8	17
013 18 295	Adapter HP - T - 1/2" BSPOTC (3x)	74	37	19	1/2	12	22
013 18 300	Adapter HP - T - 3/4" BSPOTC (3x)	80	40	17	3/4	16	27
013 18 310	Adapter HP - T - 1" BSPOTC (3x)	90	44	22	1	22	36



T-piece Swivel BSPIT

part no.	description	L1 (mm)	L2 (mm)	L3 (mm)	D1 (")	D2 (mm)	Sw1 (mm)
013 18 240	Adapter HP - T - SW - 3/4" BSPIT (3x)	80	40	17	3/4	16	27
013 18 251	Adapter HP - T - SW - 1" BSPIT (3x)	90	44	22	1	22	36

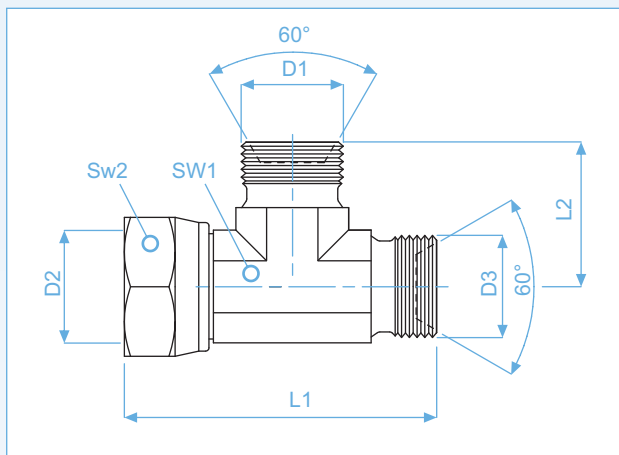


Hyva Hoses & Adapters

T-pieces & hose pillars

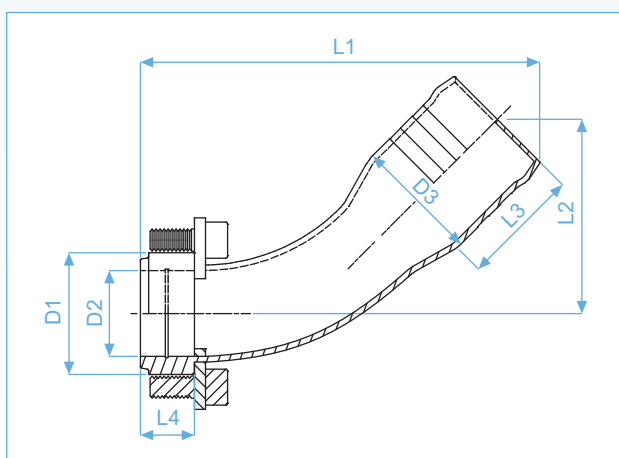
T-piece Swivel BSPIT - BSPOT

part no.	description	L1 (mm)	L2 (mm)	D1 (")	D2 (")	D3 (")	Sw1 (mm)	Sw2 (mm)
013 18 303	Adapter HP - T - SW - 3/4" BSPIT - 3/4" BSPOT (2x)	88	40	3/4" BSPOT	3/4" BSPIT	3/4" BSPOT	27	32
013 18 195	Adapter HP - T - SW - 1" BSPIT - 1" BSPOT (2x)	90	48	1" BSPIT	1" BSPOT	1" BSPOT	36	41
013 18 253	Adapter HP - T - SW - 1" BSPIT - 1" BSPOT (2x)	94	44	1" BSPOT	1" BSPIT	1" BSPOT	36	41



Hose pillar 45° BSPIT - BSPOT (Parker range)

part no.	description	L1 (mm)	L2 (mm)	L3 (mm)	L4 (mm)	D1 (mm)	D2 (mm)	D3 (mm)
145 35 300	hose pillar LP 28 - 45 - clamps	143	70	43	19.5	43.9	31	45
145 35 305	hose pillar LP 32 - 45 - clamps	153	80	37	19.5	43.9	31	51

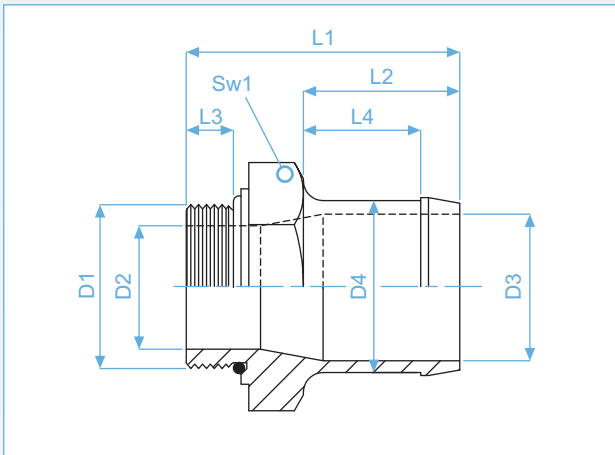


Hyva Hoses & Adapters

Hose pillars

Hose pillar straight

part no.	description	L1 (mm)	L2 (mm)	L3 (mm)	L4 (mm)	D1 (")	D2 (mm)	D3 (mm)	D4 (mm)	Sw1 (mm)
145 00 589	hose pillar LP 20 - 00 - 1" BSPOT	82	48	17	36	1"	23	26	32	41
147 99 000	hose pillar LP 28 - 00 - 1" BSPOT	72	40	11	30	1"	23	38	44	50
147 99 005	hose pillar LP 28 - 00 - 1/4" BSPOT	72	40	11	30	1/4"	32	38	44	55
147 99 015	hose pillar LP 28 - 00 - 1/2" BSPOT	72	40	11	30	1/2"	36	38	44	60
145 35 328	hose pillar LP 32 - 00 - 1/4" BSPOT	79	45	19	27	1/4"	32	44	51	55
145 00 492	hose pillar LP 32 - 00 - 1/2" BSPOT	111	65	21	45	1/2"	36	48	51	60



O-rings for straight hose pillars

part no.	description	part no. hose pillar
012 26 165	O-ring 1" * 3.53 - 50 shore	147 99 000
012 26 185	O-ring 1/4" * 3.53 - 50 shore	147 99 005
012 26 195	O-ring 1/2" * 3.53 - 50 shore	147 99 015
012 25 650	O-ring 1/2" * 3.53 - 70 shore	147 99 038

*) The O-rings are mounted on the hose pillar. References given for spare part delivery

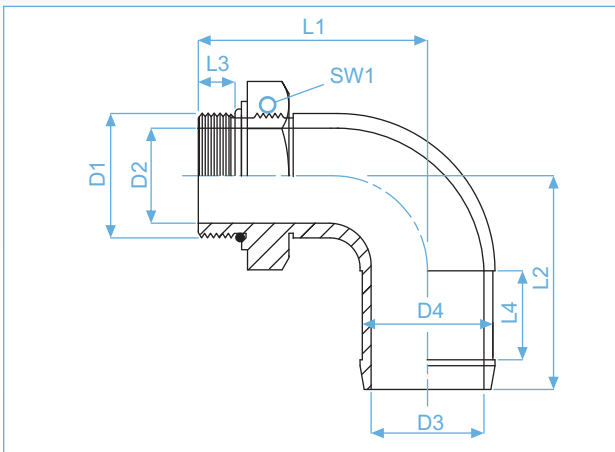
O-rings for hose pillars 90°

part no.	description	part no. hose pillar
017 02 830	O-ring 1" * 3.53 - 70 shore	147 99 020
017 02 870	O-ring 1/4" * 3.53 - 70 shore	147 99 025
012 25 650	O-ring 1/2" * 3.53 - 70 shore	147 99 050 & 147 99 035 & 147 99 036

*) The O-rings are mounted on the hose pillar. References given for spare part delivery

Hose pillar 90°

part no.	description	L1 (mm)	L2 (mm)	L3 (mm)	L4 (mm)	D1 (")	D2 (mm)	D3 (mm)	D4 (mm)	Sw1 (mm)
147 99 020	hose pillar LP 28 - 90 - 1" BSPOT	77	80	11	30	1"	23	38	44	50
147 99 025	hose pillar LP 28 - 90 - 1/4" BSPOT	77	77	11	30	1/4"	32	38	44	55
147 99 050	hose pillar LP 28 - 90 - 1/2" BSPOT	77	75	11	30	1/2"	38	38	44	60

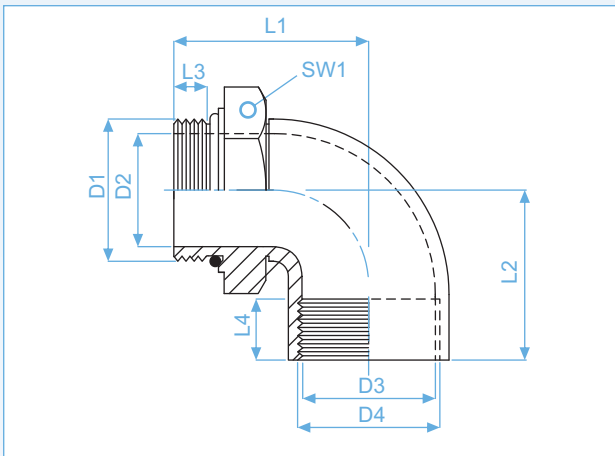


Hyva Hoses & Adapters

Hose pillars

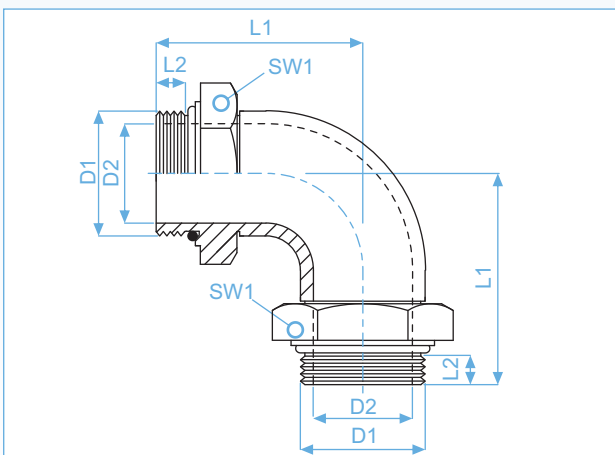
Suction adapter 90° BSPIT - BSPOT

part no.	description	L1 (mm)	L2 (mm)	L3 (mm)	L4 (mm)	D1 (")	D2 (mm)	D3 (mm)	D4 (mm)	Sw1 (mm)
147 99 035	adapter LP - 90 - 1½" BSPIT - 1½" BSPOT	66	62	11	20	1½"	38	45	1½"	60



Suction adapter 90° BSPOT - BSPOT

part no.	description	L1 (mm)	L2 (mm)	D1 (")	D2 (mm)	Sw1 (mm)
147 99 036	adapter LP - 90 - 1½" BSPOT - 1½" BSPOT	70	15	1½"	38	60

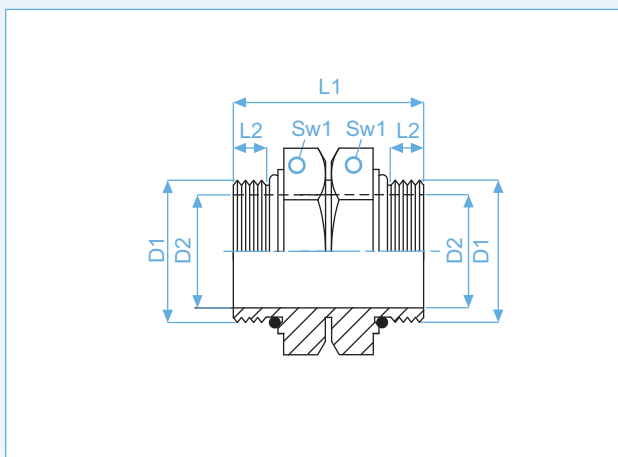


Hyva Hoses & Adapters

Suction adapters

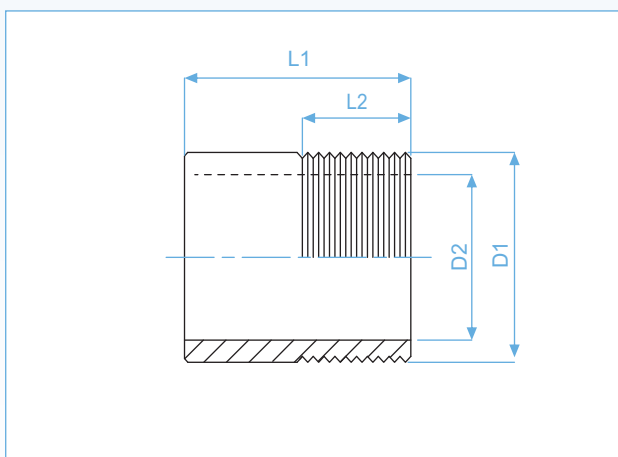
Suction adapter 0° BSPOT - BSPOT

part no.	description	L1 (mm)	L2 (mm)	D1 (")	D2 (mm)	Sw1 (mm)
147 99 038	adapter LP - 00 - 1½" BSPOT - 1½" BSPOT	66	12	1½"	38	60



Welding adapters

part no.	description	L1 (mm)	L2 (mm)	D1 (")	D2 (mm)
012 22 612	adapter LP - 00 - 1¼" BSPOT - WELD - L=50	50	22	1¼"	36
012 22 613	adapter LP - 00 - 1½" BSPOT - WELD - L=73	73	26	1½"	42



Hyva Hoses & Adapters

Pipe & pipe clamps

Pipe

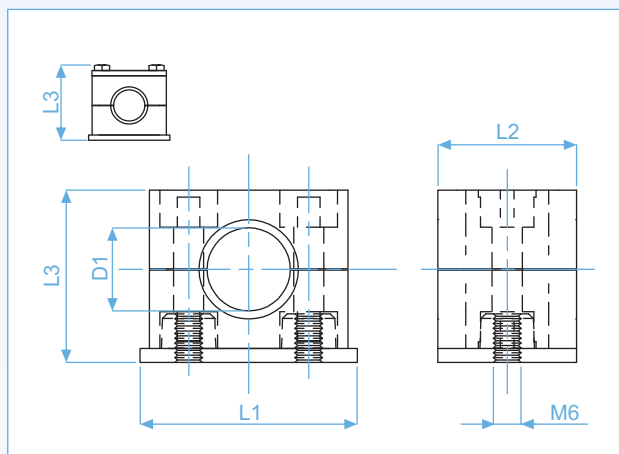
part no.	description	press. (bar)	type
092 29 030	pipe 12x1.5mm - ST37.4 - DIN2445/2 ZP	360	light
092 29 000	pipe 15x1.5mm - ST37.4 - DIN2445/2 ZP	280	light
092 29 018	pipe 20x2.5mm - ST37.4 - DIN2445/2 BL	360	strong
092 29 052	pipe 22x2.0mm - ST37.4 - DIN2445/2 ZP	250	light
092 29 060	pipe 25x2.5mm - ST37.4 - DIN2445/2	280	strong

Pipe only available in a length of 6m.



Hose/pipe clamp single

part no.	description	L1 (mm)	L2 (mm)	L3 (mm)	D1 (mm)
149 59 008	Clamp hose/pipe single 12mm	42	30	30	12
149 59 010	Clamp hose/pipe single 15mm	48	30	37	15
149 59 016	Clamp hose/pipe single 18mm	48	30	37	18
149 59 018	Clamp hose/pipe single 20mm	50	30	45	20
149 59 020	Clamp hose/pipe single 22mm	50	30	45	22
149 59 026	Clamp hose/pipe single 25mm	50	30	45	25



Hose/pipe clamp double

part no.	description	L1 (mm)	L2 (mm)	L3 (mm)	D1 (mm)
149 59 110	Clamp hose/pipe double Ø12 mm	37	35	41	12
149 59 120	Clamp hose/pipe double Ø15 mm	56	35	41	15
149 59 150	Clamp hose/pipe double Ø22 mm	70	30	55	22

