

HYVA PTO'S



PNEUMATICALLY OPERATED POWER TAKE-OFF

Hyva

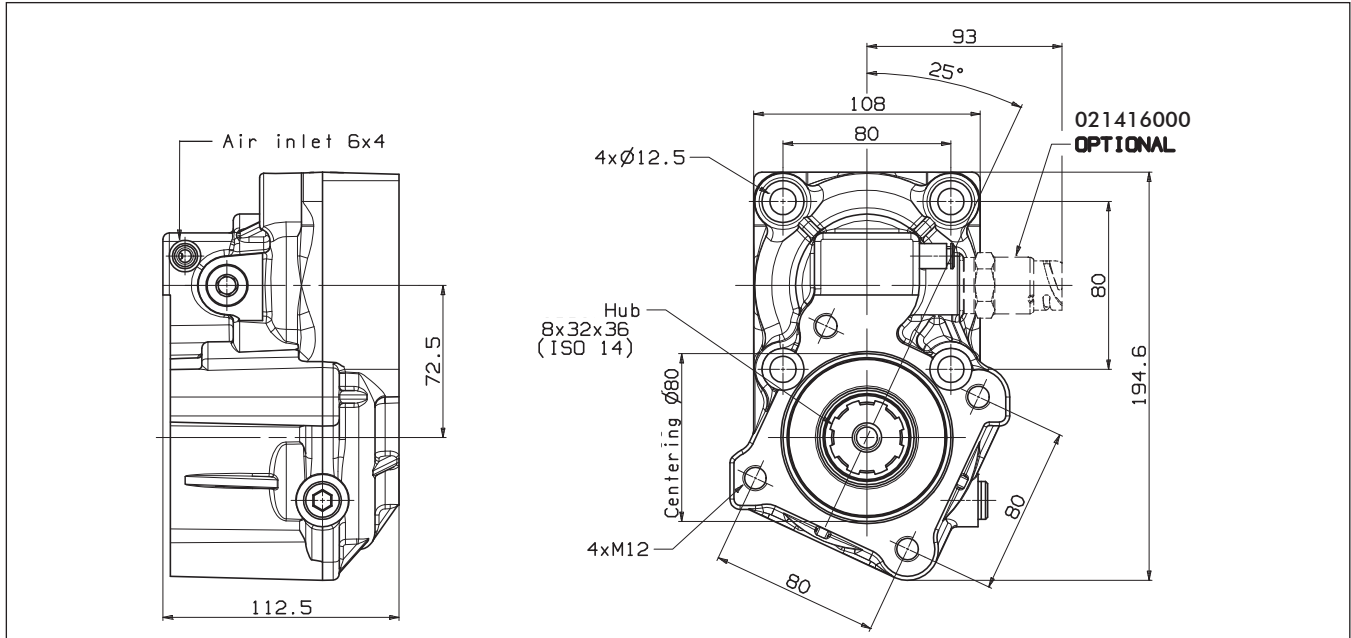
Partno. PTO: 021220030/021215023/021215050

Type Gearbox:

ZF - IVECO-VOLVO-

MERCEDES - EATON

Page 1 / 2



Specifications

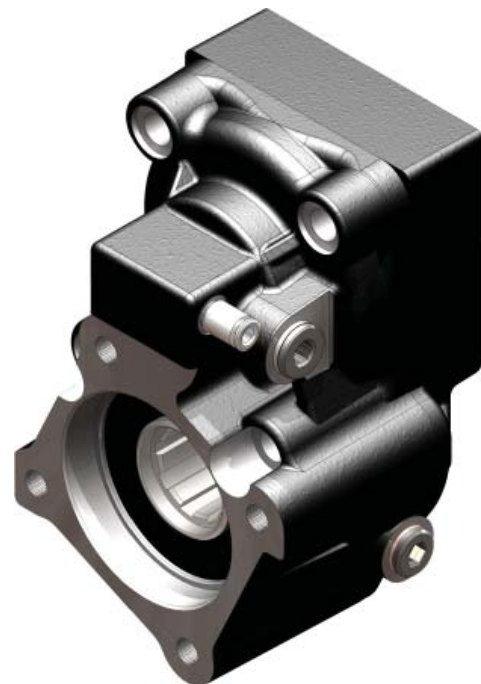
Type Gearbox	MERCEDES-IVECO-EATON-ZF-VOLVO		
	021220030	021215023	021215050
PTO ratio@1000 eng. rpm	SEE INDEX		
Internal ratio	1:1,8	1:1,53	1:1,33
Max torque	350 Nm	400 Nm	450 Nm
Mounting side	Rear		
Output	Rear		
Rotation	Acw		

Mounting kit

Part no.	SEE INDEX
----------	-----------

Attention

The prop shaft overall dimensions shown in the section "PROP SHAFT CLEARANCE" have been taken from the technical catalogues of the gearboxes' manufacturers, **HYVA BV** refuses all responsibility for any change of such dimensions as well as for any gearboxes damages due to higher torque absorption than allowed.



HYVA PTO'S



PNEUMATICALLY OPERATED POWER TAKE-OFF

Hyva

Partno. PTO: 021220030/021215023/021215050

Page 2 / 2

Type Gearbox:

ZF - IVECO - VOLVO-

MERCEDES - EATON

Basic characteristics

