



COMPONENT CATALOG
OIL TANKS

| | |
|--|----|
| INTRODUCTION..... | 4 |
| SIDE MOUNTED OIL TANKS | 6 |
| • SIDE MOUNTED ALPHA STEEL TANK - SINGLE/DOUBLE SUPPORT + SINGLE MOUNTING PLATE..... | 6 |
| • SIDE MOUNTED ALPHA ALU TANK - SINGLE SUPPORT + SINGLE MOUNTING PLATE..... | 7 |
| • SIDE MOUNTED ALPHA ALU TANK - DOUBLE SUPPORT + SINGLE MOUNTING PLATE..... | 8 |
| • SIDE MOUNTED ALPHA ALU TANK - SINGLE/DOUBLE SUPPORT + DOUBLE MOUNTING PLATE | 9 |
| • SMALL SIDE MOUNTED STEEL OIL TANK | 10 |
| • RELATED PARTS FOR SIDE MOUNTED OIL TANKS | 10 |
| • TANK RETURN FILTER PLATE | 10 |
| • ADAPTOR KIT 90 DEGREES FOR FILTER PLATE | 10 |
| • SM-TANK MOUNTING KITS..... | 11 |
| • SINGLE SUPPORT MOUNTING KIT | 11 |
| • DOUBLE SUPPORT MOUNTING KIT..... | 11 |
| • DOUBLE SUPPORT MOUNTING KIT..... | 12 |
| • SM-TANK MOUNTING & SPARE PARTS | 13 |
| • SPACERS..... | 13 |
| • STRENGTHENING RING..... | 13 |
| • WASHER KIT..... | 13 |
| • SPY EYE..... | 13 |
| • SPY EYE BLIND PLUG..... | 13 |
| CRADLE MOUNTED OIL TANKS..... | 14 |
| • CRADLE MOUNTED TANKS..... | 14 |
| • CM-TANK MOUNTING KITS & SPARE PARTS | 15 |
| • MOUNTING KIT FOR CM-TANKS IN CRADLE 286 MM..... | 15 |
| • MOUNTING KITS FOR CM-TANKS ON SUPPORT FOR IN CRADLE 368 MM..... | 15 |
| • SPY EYE..... | 15 |
| REAR MOUNTED OIL TANKS..... | 16 |
| • REAR MOUNTED TANKS..... | 16 |
| • LOW LONG REAR MOUNTED ALUMINIUM TANK (LLRM) | 16 |
| • RM-TANK MOUNTING & SPARE PARTS..... | 17 |
| • STRAP AND RUBBER..... | 17 |
| • TANK SUPPORT AND RUBBER..... | 17 |
| • VIBRATION DAMPERS..... | 17 |
| • FULL MOUNTING KIT FOR LLRM TANK | 18 |
| AIR BREATHER FILTER & SPARE PARTS FOR HYVA OIL TANKS | 19 |
| • AIR BREATHER..... | 19 |
| • SPARE PARTS AIR BREATHER FILTER..... | 19 |
| • STEEL MOUNTING FLANGE..... | 19 |
| TANK RETURN LINE FILTERS..... | 20 |
| • TANK RETURN FILTER KITS - HOUSE VERSION..... | 20 |
| • TANK RETURN FILTER KITS - PLATE VERSION | 20 |
| • TANK RETURN FILTER SPARE PARTS..... | 21 |
| • SPARE PARTS - HOUSE VERSION | 21 |
| • SPARE PARTS - PLATE VERSION..... | 21 |
| • ADAPTOR KIT 90 DEGREES FOR PLATE FILTER | 21 |
| • STRENGTHENING RING | 21 |

Hyva hydraulic oil tanks

Hyva offers a complete range of oil tanks manufactured from the highest quality materials – steel and aluminum. We offer several mounting possibilities - behind the cabin, on the side of vehicle, in the cylinder cradle and others. This allows to compose a variety of hydraulic systems to match all truck and application types. Hyva oil tanks are of highest quality in terms of design and production standards confirmed in several lab and field tests. The design ensures optimized shape, volumes and weight to follow the latest trends on modern vehicles. The outer parts are secured by highest quality painting methods to withstand the most demanding weather and operation conditions.

Our tanks are prepared to be equipped with a Hyva 10 micron air breather filter integrated in the filler cap. All our tanks feature oil level indicator, either one or more to optimize the oil volume needed per given application. We strongly believe that quality oil filtration can assure long lasting and problem free operation of the system, for this reason our tanks are compatible with Hyva return line filters.

Hyva tanks are standard equipped with a 1½”BSPOT or 1½”BSPIT suction connection, tipping valve can be mounted on a side mounting plate or directly on the return filter plate.

To complete our tank offer, Hyva offers several additional related components and spare parts like straps, nuts, tank supports, rubbers, vibration dampers, suction hoses, high pressure hoses, bolts, filler caps, adapters, ball valves and hose pillars.

The most popular oil tanks in the Hyva range are cradle mounted (CM), side mounted (SM) and rear mounted (RM) oil tanks.

Additionally we offer several special options characteristic for given applications and markets.

Cradle mounted tanks (CM)

The CM tanks are available mainly in steel version and designed for mounting in the cylinder cradle area on tipper trucks. The standard range has working volume of up to 110L, suction port located at the bottom, they are compatible with Hyva air and return oil filters.

Side mounted tanks (SM)

The SM range is available in steel and aluminum with a working volume for the smallest tank of 35L and 94L up to 200L working volume for the bigger SM tanks.

These tanks are designed with single and double support, single and double mounting plate for tipping valve and suction ports located in the rear.

All tanks are compatible with air and return oil filters and are mainly used for tractor applications on the side of the truck frame.

Rear mounted tanks (RM)

The RM tanks are available in steel and aluminum, the main application is for tractor units where there is not enough space for side mounted tanks. The standard RM tanks are available with working volume up to 197L and can be mounted with standard tank supports or with use of QIK mounting kits to reduce the installation time. As other tanks, also compatible with Hyva air and return oil filters.

In this overview you can find everything about the oil tanks: the coding, the kits and the parts.

Code system oil tanks

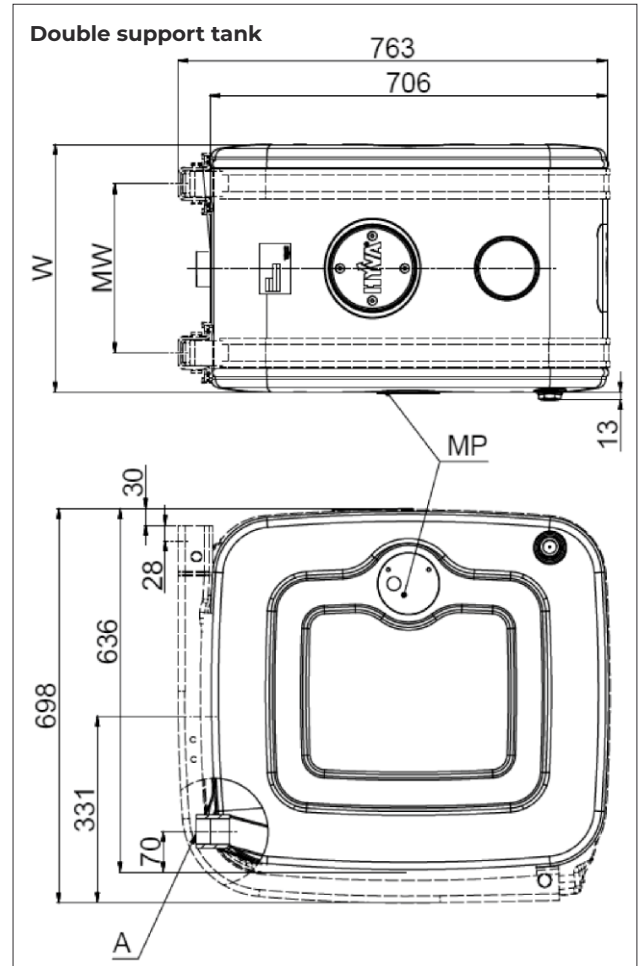
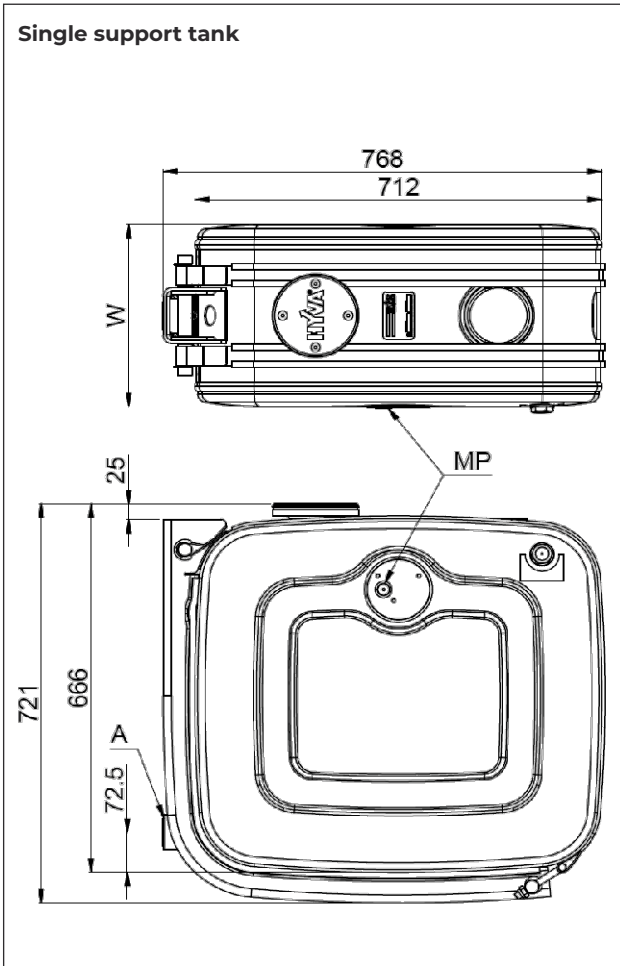
| Oil tank | SM | 202L | 153L | AL | MP | RF/MR | |
|----------|----|------|------|----|----|-------|---|
| Oil tank | | | | | | | Oil tank |
| | SM | | | | | | Mounting position |
| | | 202L | | | | | Gross volume |
| | | | 153L | | | | Working volume |
| | | | | AL | | | Aluminum tank |
| | | | | | MP | | Mounting plate for tipping valve |
| | | | | | | RF/MR | With return filter / mounting plate-return filter |

The description of the oil tank is corresponding with the way to choose the correct oil tank. At first the type of tank is chosen, then the gross and working volume. The working volume of the tank must be larger than the gross volume of the cylinder. The material of the tank is the next step. The last two codes explain whether the tank has a valve mounting plate and/or a tank return filter.

SIDE MOUNTED OIL TANKS (STEEL)

SIDE MOUNTED ALPHA STEEL TANK - SINGLE/DOUBLE SUPPORT + SINGLE MOUNTING PLATE (MP)

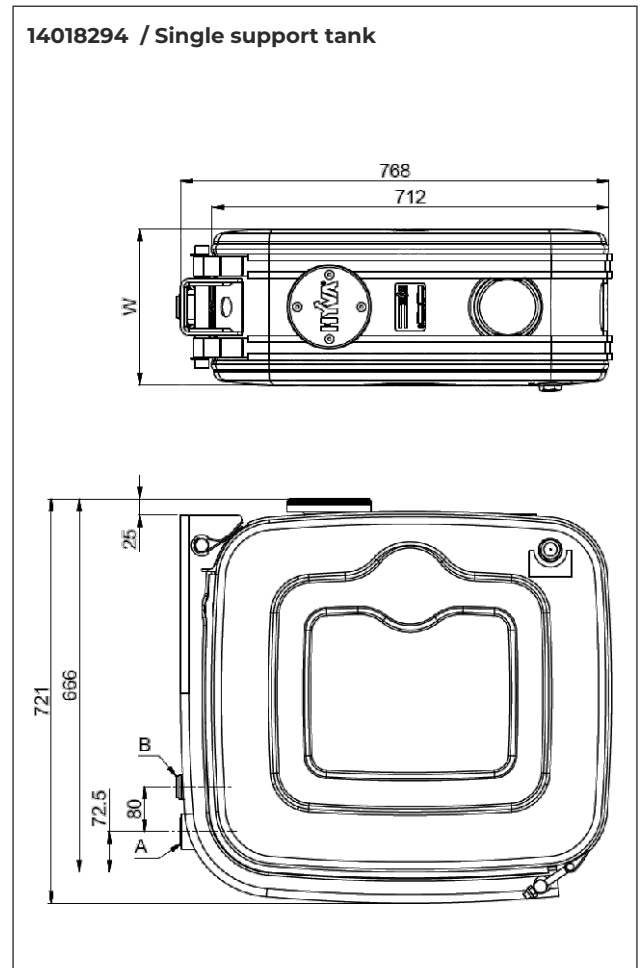
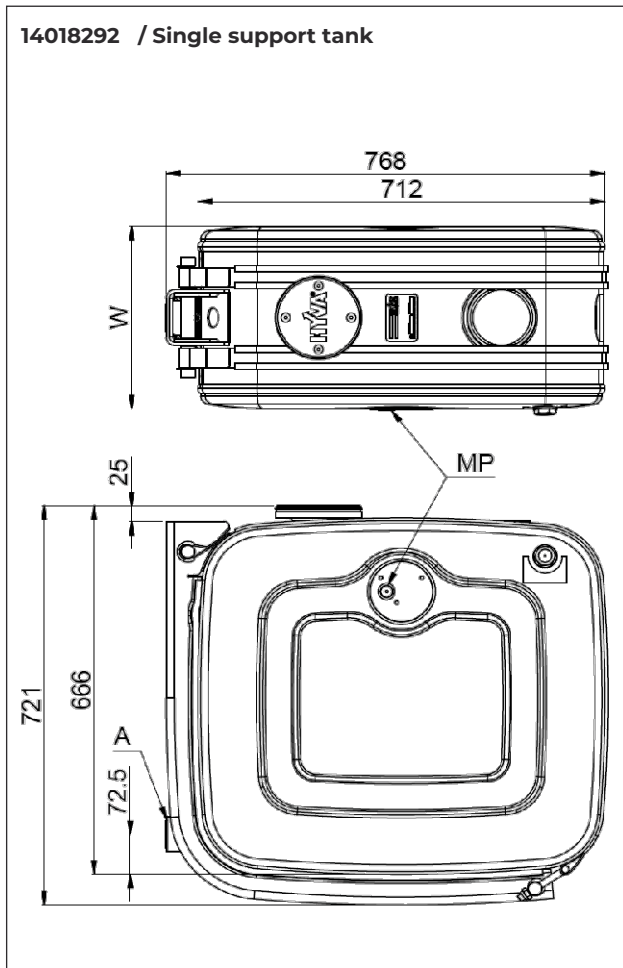
| Part no. | Description | Working Volume (L) | Support configuration | Weight oil tank (Kg) | Width "W" (mm) | Mounting Width "MW" (mm) | Suction port "A" | Support kit |
|----------|---------------------------------|--------------------|-----------------------|----------------------|----------------|--------------------------|------------------|-------------|
| 14017292 | OIL TANK SM-132L/110L-MP-NARROW | 110 | SINGLE | 30 | 330 | - | 1½" | INCLUDED |
| 14017254 | OIL TANK SM-155L/130L-MP-MR | 130 | DOUBLE | 32 | 380 | 195-225 | | 14020160/61 |
| 14017258 | OIL TANK SM-179L/150L-MP-MR | 150 | DOUBLE | 34 | 440 | 200-275 | | 14020160/61 |
| 14017262 | OIL TANK SM-201L/170L-MP-MR | 170 | DOUBLE | 36 | 495 | 220-330 | | 14020160/61 |
| 14017266 | OIL TANK SM-236L/200L-MP-MR | 200 | DOUBLE | 39 | 580 | 250-415 | | 14020166/61 |



SIDE MOUNTED ALPHA ALUMINIUM TANK - SINGLE SUPPORT + SINGLE MOUNTING PLATE (MP)

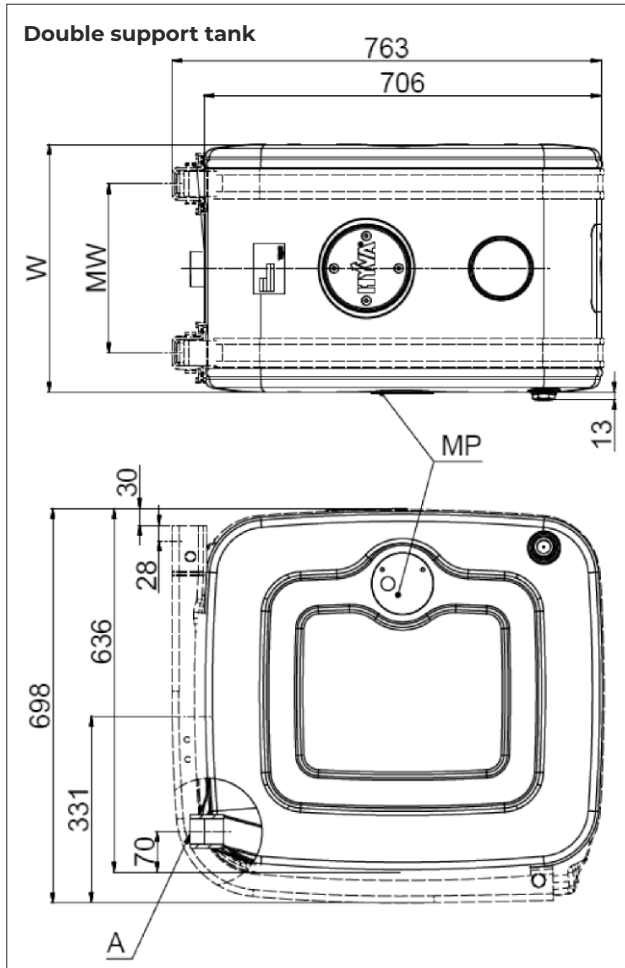
| Part no. | Description | Working Volume (L) | Support configuration | Weight oil tank (Kg) | Width "W" (mm) | Mounting Width "MW" (mm) | Suction Port "A" | Return Port "B" | Support kit |
|------------|--|--------------------|-----------------------|----------------------|----------------|--------------------------|------------------|-----------------|-------------|
| 14018292 | OIL TANK SM-132L/112L-AL-MP-SGL SPRT KIT | 112 | SINGLE | 14.7 | 330 | - | 1½" | - | INCLUDED |
| 14018294** | OIL TANK SM-110L/94L-AL-SGL SPRT KIT | 94 | SINGLE | 13.5 | 280 | - | | 1" | INCLUDED |

** Oil tank 14018294 does not have a mounting plate



SIDE MOUNTED ALPHA ALUMINIUM TANK - DOUBLE SUPPORT + SINGLE MOUNTING PLATE (MP)

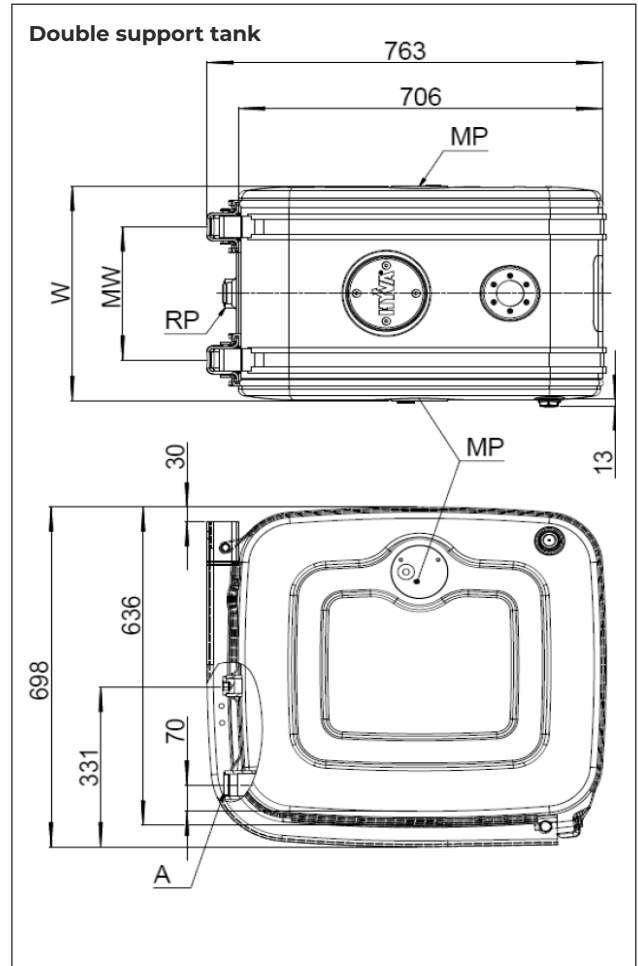
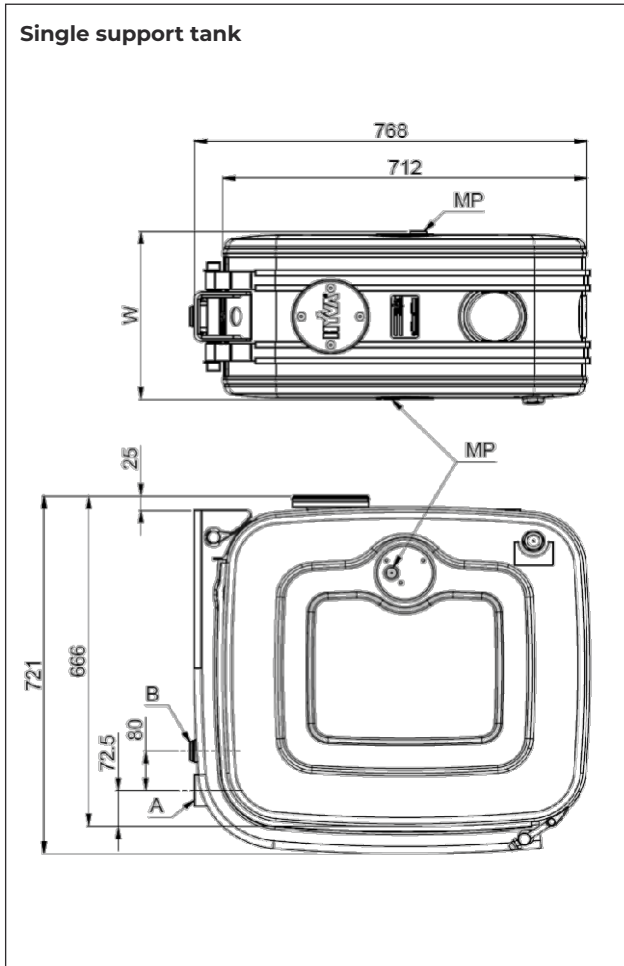
| Part no. | Description | Working Volume (L) | Support configuration | Weight oil tank (Kg) | Width "W" (mm) | Mounting Width "MW" (mm) | Suction port "A" | Support kit |
|----------|-----------------------------|--------------------|-----------------------|----------------------|----------------|--------------------------|------------------|-------------|
| 14018270 | OIL TANK SM-155L/130L-MP-MR | 130 | DOUBLE | 15 | 380 | 195-225 | 1½" | 14020166/67 |
| 14018272 | OIL TANK SM-179L/150L-MP-MR | 150 | DOUBLE | 16 | 440 | 200-275 | | 14020166/67 |
| 14018274 | OIL TANK SM-201L/170L-MP-MR | 170 | DOUBLE | 17 | 495 | 220-330 | | 14020166/67 |
| 14018276 | OIL TANK SM-236L/200L-MP-MR | 200 | DOUBLE | 18 | 580 | 250-415 | | 14020166/67 |



SIDE MOUNTED OIL TANKS

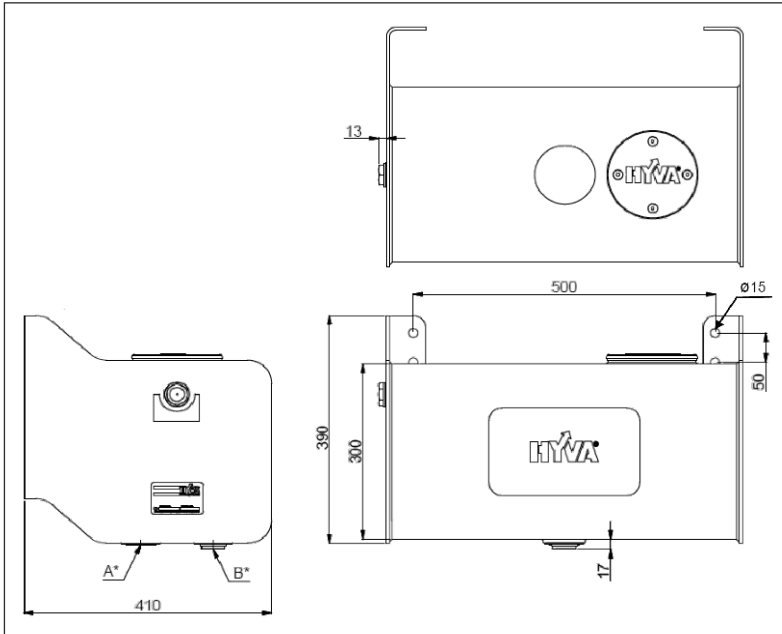
SIDE MOUNTED ALPHA ALU TANK - SINGLE/DOUBLE SUPPORT + DOUBLE MOUNTING PLATE (MP2)

| Part no. | Description | Working Volume (L) | Support configuration | Weight oil tank (kg) | Width "W" (mm) | Mounting Width "MW" (mm) | Suction Port "A" | Return Port "B" | Support kit |
|----------|---|--------------------|-----------------------|----------------------|----------------|--------------------------|------------------|-----------------|-------------|
| 14018293 | OIL TANK SM-132L/112L-AL-MP2-SGL SPRT KIT | 112 | SINGLE | 16.5 | 340 | - | 1 1/2" | 1" | INCLUDED |
| 14018271 | OIL TANK SM-155L/130L-AL-MP2-MR | 130 | DOUBLE | 15 | 380 | 195-225 | | - | 14020166/67 |
| 14018273 | OIL TANK SM-179L/150L-AL-MP2-MR | 150 | DOUBLE | 16 | 440 | 200-275 | | - | 14020166/67 |
| 14018275 | OIL TANK SM-201L/170L-AL-MP2-MR | 170 | DOUBLE | 17 | 495 | 220-330 | | - | 14020166/67 |
| 14018277 | OIL TANK SM-236L/200L-AL-MP2-MR | 200 | DOUBLE | 18 | 580 | 250-415 | | - | 14020166/67 |



SMALL SIDE MOUNTED STEEL OIL TANK

| Part no. | Description | Working volume (L) | Weight (kg) | Suction port "A" | Additional Return port "B" |
|----------|------------------------|--------------------|-------------|------------------|----------------------------|
| 14022115 | OIL TANK SM-50L/35L-MF | 35 | 26.7 | 1½" | 1" |



TANK RETURN FILTER PLATE

| Part no. | Description | Weight (kg) |
|----------|--|-------------|
| 14895930 | TANK RETURN FILTER PLATE NO PIPE SC IL 247 | 1.9 |



ADAPTOR KIT 90 DEGREES FOR PLATE FILTER

| Part no. | Description | Weight (kg) |
|----------|--|-------------|
| 01317987 | ADAPTOR KIT 90 FOR RETURN FILTER 1" BSPOTC | 0.1 |



SINGLE SUPPORT MOUNTING KIT

| Pos. | Part no. | Description | Weight (kg) |
|-------|----------|---------------------------------------|-------------|
| 1 & 2 | 14020314 | SUPPORT WITH THREE HOLES INCL. RUBBER | 11.7 |
| 2 | 14020315 | RUBBER FOR SUPPORT | 0.4 |
| 3 & 4 | 14020313 | STRAP WITH RUBBER | 1.2 |
| 3 | 14020426 | RUBBER FOR STRAP | 0.2 |
| 5 | 08102116 | AIR BREATHER | 0.4 |

Mounting kit contains fastening components like bolts, pins & washers.

Note:

This support kit is suitable for the following single support side mounted oil tanks shown on page 6, 7 & 9.

Page 6

14017 292

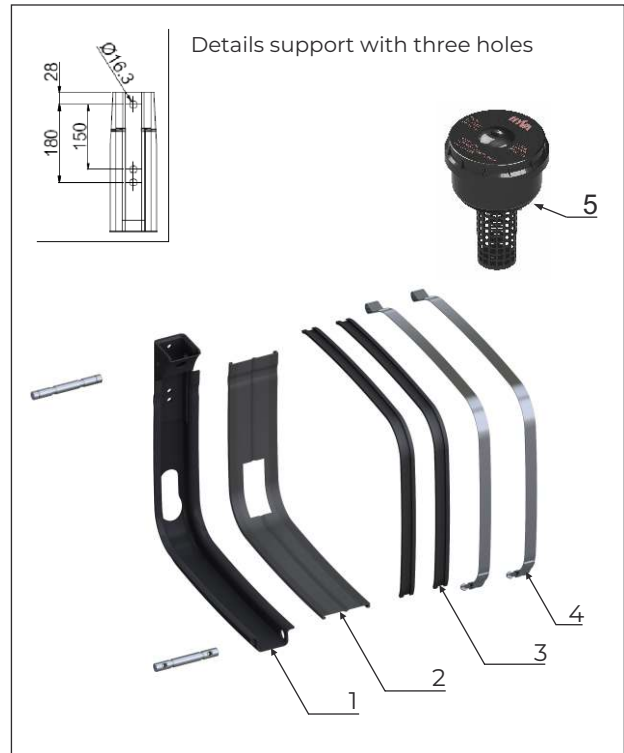
Page 7

14018 292

14018 294

Page 9

14018 293



DOUBLE SUPPORT MOUNTING KIT

| Pos. | Part no. | Description | Weight (kg) |
|-------|----------|---------------------------------------|-------------|
| | 14020160 | SUPPORT KIT COMPLETE ONE HOLE | |
| | 14020161 | SUPPORT KIT COMPLETE THREE HOLES | |
| 1 & 2 | 14020320 | SUPPORT WITH ONE HOLE INCL. RUBBER | 8.7 |
| 1 & 2 | 14020321 | SUPPORT WITH THREE HOLES INCL. RUBBER | 8.7 |
| 2 | 14020435 | RUBBER FOR SUPPORT | 0.4 |
| 3 & 4 | 14020308 | STRAP WITH RUBBER | 1.4 |
| 3 | 14020425 | RUBBER FOR STRAP | 0.2 |
| 5 | 08102116 | AIR BREATHER | 0.4 |

Mounting kit contains fastening components like bolts, pins & washers.

Note:

These support kits are suitable for the following double support side mounted oil tanks shown on page 8 & 9.

Page 8

14018270

14018272

14018274

14018276

Page 9

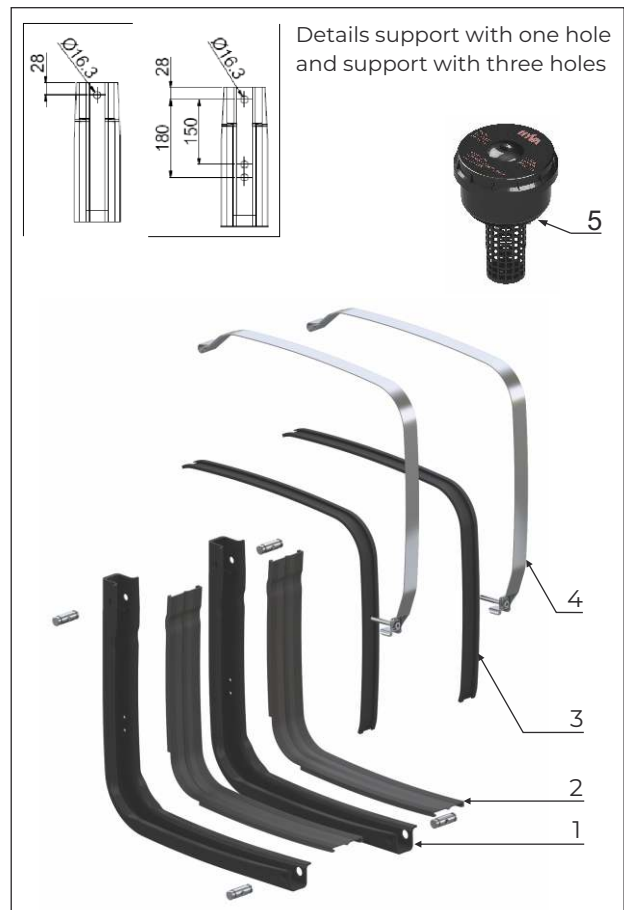
14018293

14018271

14018273

14018275

14018277



DOUBLE SUPPORT MOUNTING KIT

| Pos. | Part no. | Description | Weight (Kg) |
|-------|-----------------|---|-------------|
| | 14020166 | SUPPORT KIT COMPLETE ONE HOLE | |
| | 14020167 | SUPPORT KIT COMPLETE THREE HOLES | |
| 1 & 2 | 14020310 | SUPPORT WITH ONE HOLE INCL RUBBER | 8.7 |
| 1 & 2 | 14020311 | SUPPORT WITH THREE HOLES INCL RUBBER | 8.7 |
| 2 | 14020436 | RUBBER FOR SUPPORT | 0.4 |
| 3 & 4 | 14020309 | STRAP WITH RUBBER | 1.4 |
| 3 | 14020428 | RUBBER FOR STRAP | 0.2 |
| 5 | 08102116 | AIR BREATHER | 0.4 |

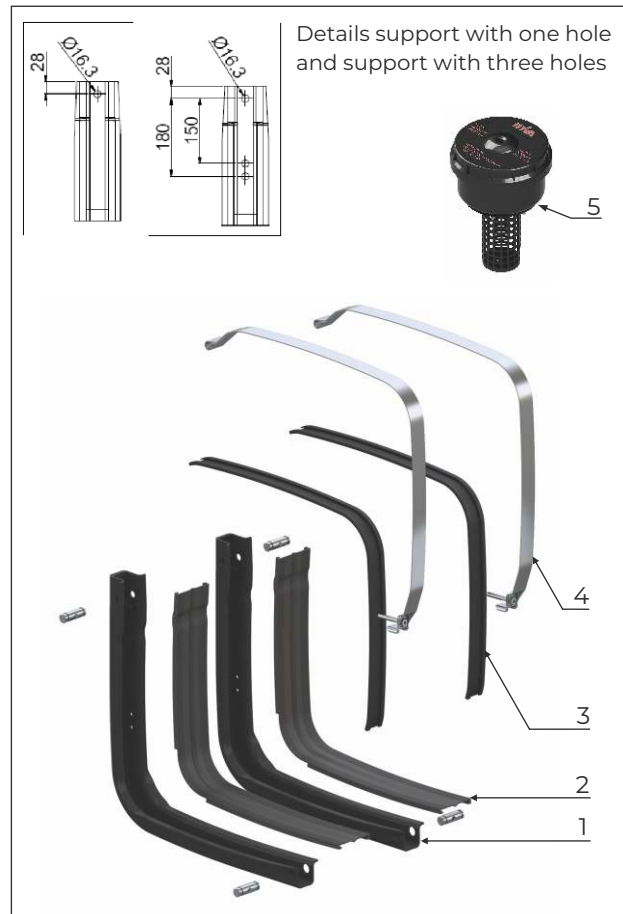
Mounting kit contains fastening components like bolts, pins & washers.

Note:

These support kits are suitable for the following double support side mounted oil tanks shown on page 6.

Page 6

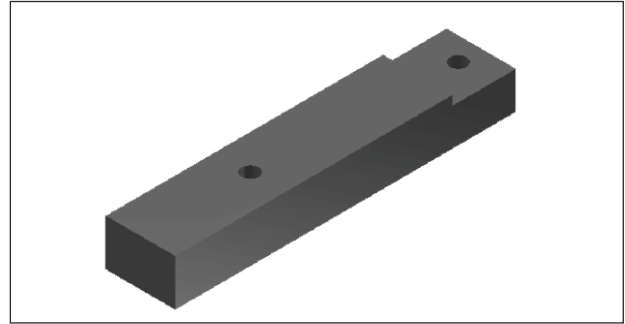
14017254
14017258
14017262
14017266



SPACER

| Part no. | Description | Weight (kg) |
|----------|----------------------------------|-------------|
| 01040002 | SPACER 295X60X40 FOR MAN | 0.8 |
| 01040003 | SPACER 295X60X27 FOR MAN | 0.5 |
| 01040004 | SPACER 160X60X8 FOR RENAULT | 0.1 |
| 01040005 | SPACER 230X60X20/16 FOR MERCEDES | 0.3 |
| 01040006 | SPACER 230X60X6/2 FOR MERCEDES | 0.1 |
| 01040007 | SPACER FLAT 67MM IVECO | 0.7 |

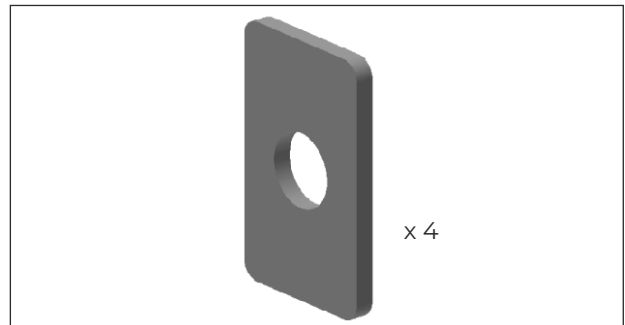
Light weight spacers for mounting SM tanks on an S-Shaped narrowed chassis.



WASHER KIT

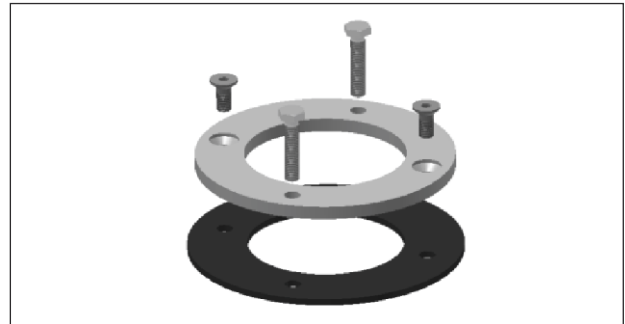
| Part no. | Description | Weight (kg) |
|----------|-------------------------|-------------|
| 14020125 | WASHER KIT FOR M16 BOLT | 0.2 |

If support is connected to the chassis by M16 bolts instead of M14 bolts, Hyva advises to use the washer kit.



STRENGTHENING RING

| Part no. | Description | Weight (kg) |
|----------|-----------------------------------|-------------|
| 14020509 | STRENGTHENING RING SM TANK RF KIT | 0.2 |



SPY EYE

| Part no. | Description |
|----------|------------------------------|
| 08102121 | 1" LEVEL SPY EYE WITH GASKET |



SPY EYE BLIND PLUG + FLAT SEAL GASKET

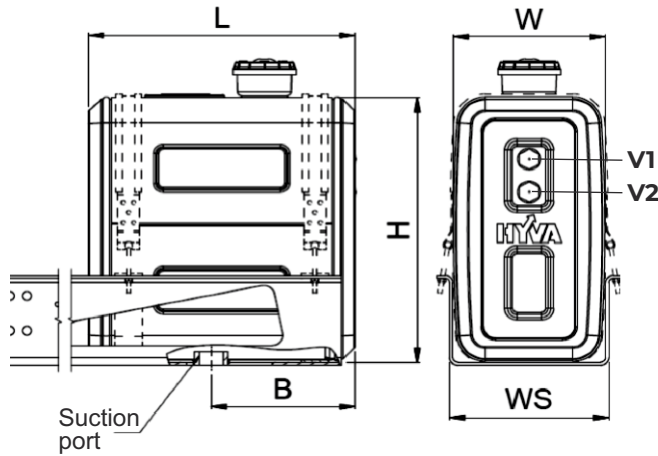
| Part no. | Description |
|----------|--|
| 08102145 | 1" SPY EYE BLIND PLUG WITHOUT GASKET |
| 08102148 | FLAT SEAL GASKET 1" FOR 08102145 SPY EYE |



CRADLE MOUNTED TANKS

| Part no. | Description | Working volume | | | Weight (Kg) | Width (mm) | Mounting width (mm) | H (mm) | L (mm) | B (mm) | W (mm) | WS (mm) | Suction port |
|----------|------------------------------------|----------------|----|----|-------------|------------|---------------------|--------|--------|--------|--------|---------|--------------|
| | | V1 | V2 | V3 | | | | | | | | | |
| 14016500 | OIL TANK CM-066L/047L-039L-MF | 47 | 39 | - | 18 | 280 | 368 | 525 | 500 | 270 | 280 | 368 | |
| 14016505 | OIL TANK CM-083L/059L-048L-MF | 59 | 48 | - | 22 | 280 | 368 | 525 | 620 | 270 | 280 | 368 | 1½" |
| 14016520 | OIL TANK CM-108L/086L-078L-069L-MF | 86 | 78 | 69 | 27 | 280 | 368 | 700 | 620 | 270 | 280 | 368 | |

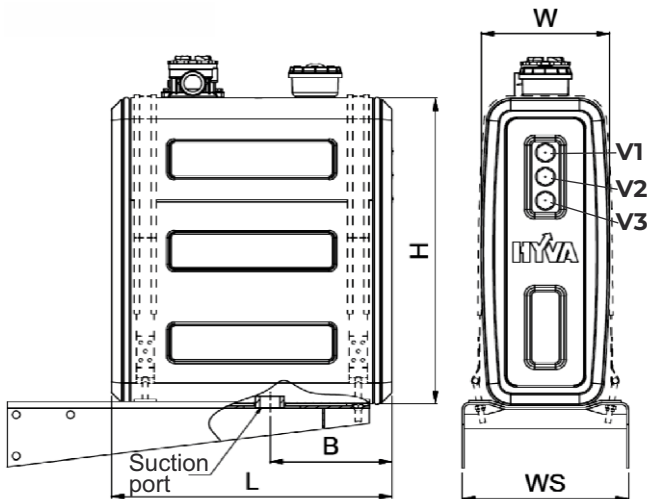
14016500 + 14016505 (TANK IN CRADLE)



14016505



14016520 (TANK + SUPPORT ON CRADLE)



14016520

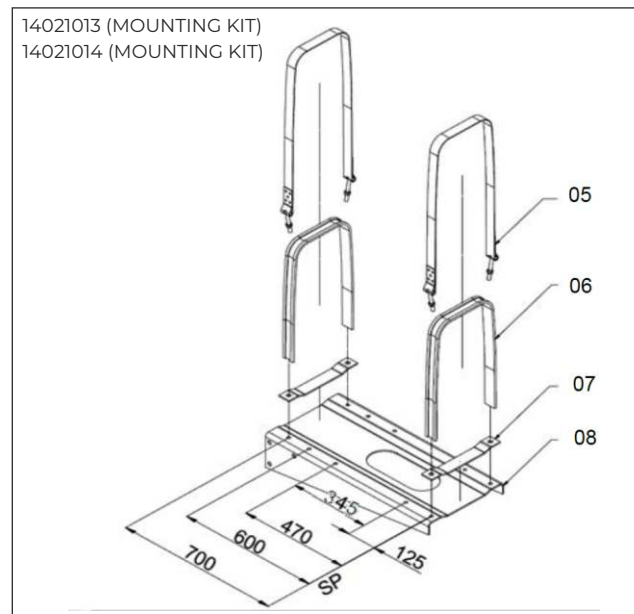
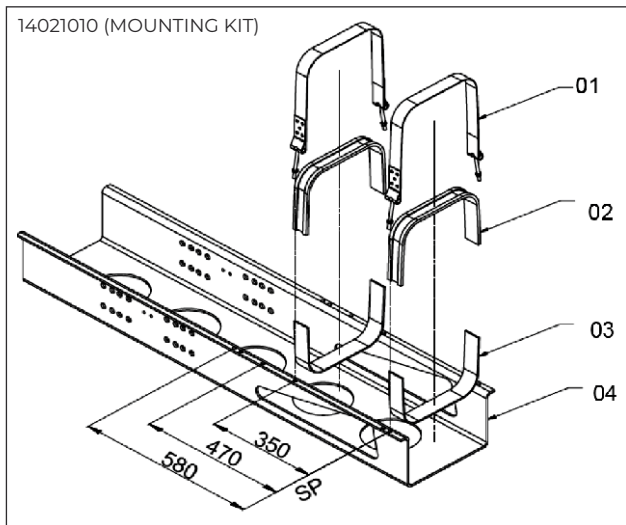


MOUNTING KIT FOR CM-TANKS IN CRADLE 286 MM

| Positon | Part no. | Description | Part no. oil tank | | Weight (kg) |
|---|------------------|--|-------------------|----------|-------------|
| | | | 14016500 | 14016505 | |
| | 14021010* | FULL MOUNTING KIT FOR OIL TANKS 14016 500 & 14016 505 | | | |
| | | SEPARATE MOUNTING PARTS | | | |
| 01 | 14020470 | STRAP 858 X 40 MM | ■ | ■ | 0.7 |
| 02 | 14020475 | RUBBER FOR STRAP 638 X 40 MM | ■ | ■ | 0.1 |
| | | STRAP POSITION (SP) | 350 MM | 470 MM | |
| 03 | 14020450 | RUBBER FOR SUPPORT 50X4 L=570 MM | ■ | ■ | 0.1 |
| * FULL KIT = 2X (STRAP + T-BOLT AND NUT (1), RUBBER FOR STRAP (2) & RUBBER FOR SUPPORT (3)). THE CRADLE HAS TO BE ORDERED SEPARATELY (4). | | | | | |
| | | CRADLE PART | | | |
| 04 | 01507538 | CRADLE 286 MM | ■ | ■ | 36.7 |

MOUNTING KITS FOR CM-TANKS ON SUPPORT FOR IN CRADLE 368 MM

| Positon | Part no. | Description | Part no. oil tank | | | Weight (kg) |
|--|------------------|--|-------------------|----------|----------|-------------|
| | | | 14016500 | 14016505 | 14016520 | |
| | 14021013* | FULL MOUNTING KIT FOR OIL TANKS 14016 500 & 14016 505 | | | | |
| | 14021014* | FULL MOUNTING KIT FOR OIL TANKS 14016 520 | | | | |
| | | SEPARATE MOUNTING PARTS | | | | |
| 05 | 14020461 | STRAP 1170 X 40 MM | ■ | ■ | | 1.2 |
| | 14020351 | STRAP 1510 X 40 MM | | | ■ | 1.4 |
| 06 | 14020465 | RUBBER FOR STRAP 900 X 40 MM | ■ | ■ | | 0.2 |
| | 14020335 | RUBBER FOR STRAP 1200 X 40 MM | | | ■ | 0.2 |
| | | STRAP POSITION (SP) | 350 MM | 470 MM | 470 MM | |
| 07 | 14020485 | RUBBER FOR SUPPORT | ■ | ■ | | 0.1 |
| * FULL KIT = 2X (STRAP + T-BOLT AND NUT (5), RUBBER FOR STRAP (6) & RUBBER FOR SUPPORT (7)), THE SUPPORT HAS TO BE ORDERED SEPARATELY (8). | | | | | | |
| | | TANK SUPPORT FOR CRADLE PART | | | | |
| 08 | 14020480 | TANK SUPPORT FOR IN CRADLE 368 MM | ■ | ■ | ■ | 16.1 |



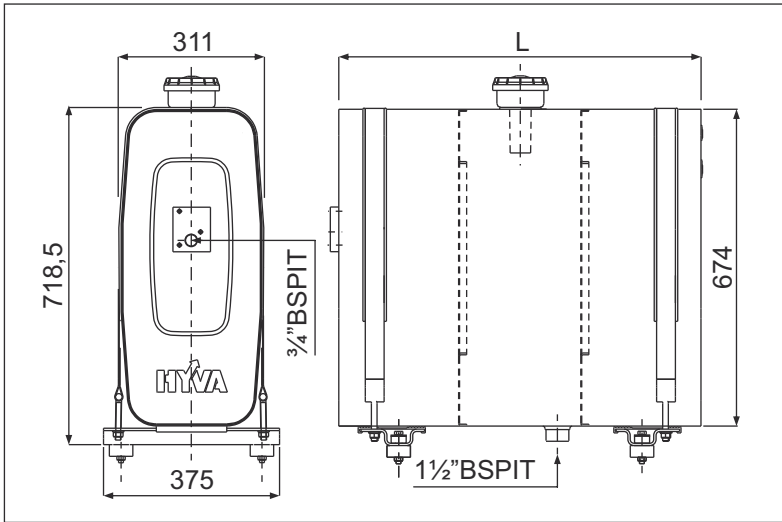
SPY EYE

| Part no. | Description |
|----------|------------------------------|
| 08102121 | 1" LEVEL SPY EYE WITH GASKET |



REAR MOUNTED TANKS

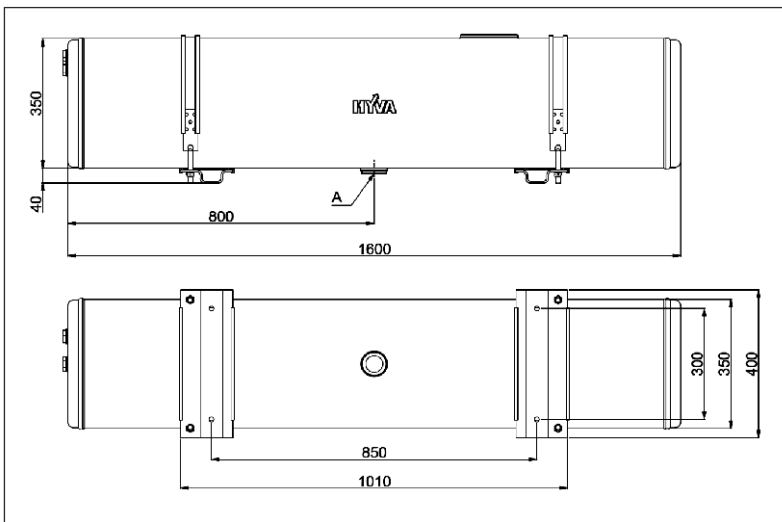
| Part no. | Description | Working volume (L) | Weight (kg) | L (mm) | Return port | Suction port |
|----------|--------------------------|--------------------|-------------|--------|-------------|--------------|
| 14015240 | OIL TANK RM-139L/117L-MP | 117 | 44.8 | 770 | ¾" BSPIT | 1½" BSPIT |
| 14015280 | OIL TANK RM-195L/165L-MP | 165 | 56.8 | 1070 | | |
| 14015265 | OIL TANK RM-214L/181L-MP | 181 | 57.3 | 1170 | | |
| 14015300 | OIL TANK RM-252L/213L-MP | 213 | 64.8 | 1370 | | |



LOW LONG REAR MOUNTED ALUMINIUM OIL TANK (LLRM)

| Part no. | Description | Gross volume (L) | Working volume 1 (L) | Working volume 2 (L) | Weight (kg) | Suction port "A" |
|----------|--|------------------|----------------------|----------------------|-------------|------------------|
| 14015076 | OIL TANK RM-177L/144L-128L-MF-LOW LONG | 177 | 144 | 128 | 29 | 1½" BSP |

This oil tank will be delivered including support, rubber for support, straps and rubber for straps



NOTE:

Tank return filters (plate version) with part numbers: 14895923, 1489524 & 14895925 mentioned on page 20 in this catalog can be mounted on the LLRM tank without extension tube applied.

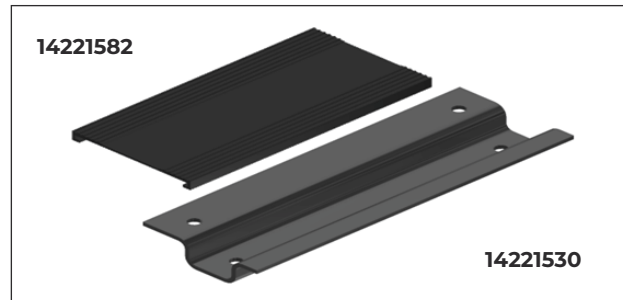
STRAP AND RUBBER

| Part no. | Description |
|----------|---|
| 14020010 | STRAP FOR OIL TANK 14015 240 / 265 / 280 / 300 |
| 14020020 | RUBBER FOR STRAP OIL TANK 14015 240 / 265 / 280 / 300 |



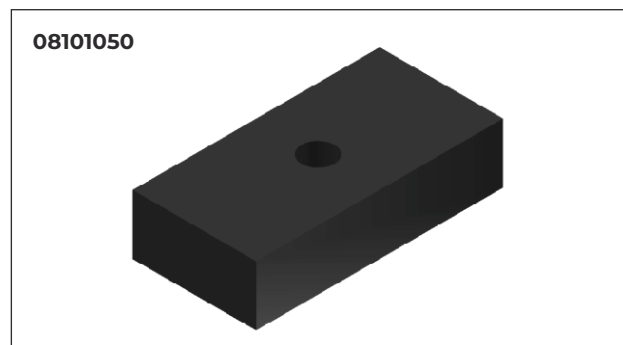
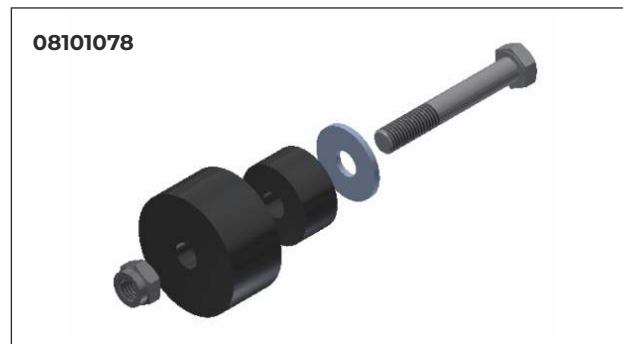
TANK SUPPORT AND RUBBER

| Part no. | Description |
|----------|---|
| 14221530 | TANK SUPPORT FOR OIL TANK 14015240 / 265 / 280 / 300 |
| 14221582 | RUBBER FOR TANK SUPPORT OIL TANK 14015240 / 265 / 280 / 300 |



VIBRATION DAMPERS

| Part no. | Description |
|----------|-------------------------|
| 08101078 | VIBRATION DAMPER ROUND |
| 08101050 | VIBRATION DAMPER SQUARE |

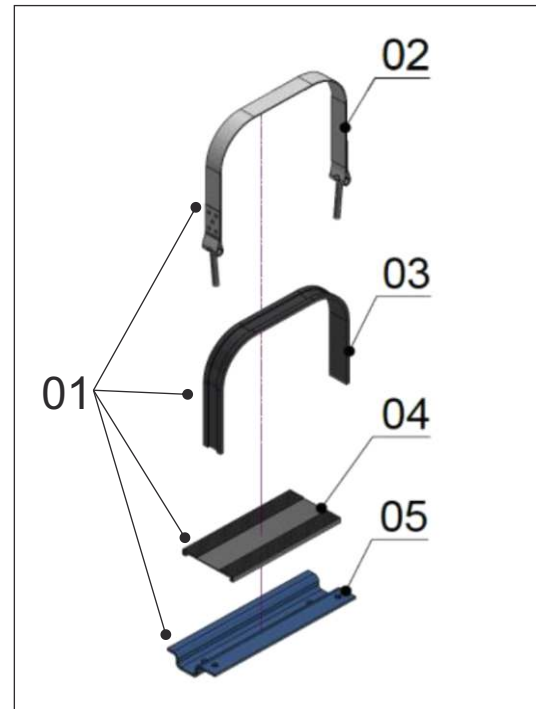


FULL MOUNTING KIT FOR LLRM TANK

| Positon | Part no. | Description |
|---------|----------|--|
| 01 | 14221615 | STANDARD SUPPORT KIT FOR LLRM OIL TANK |

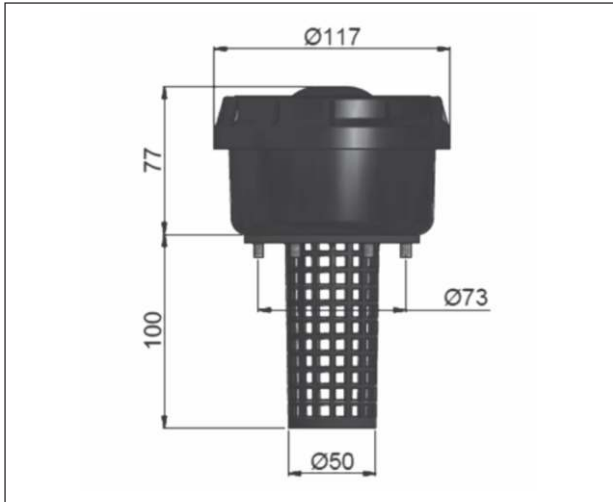
SPARE PARTS FOR LLRM TANK

| Positon | Part no. | Description |
|---------|----------|---|
| 02 | 14020471 | STRAPS 858 X 40 MM FOR LLRM OIL TANK |
| 03 | 14020357 | STRAP RUBBER 780 X 40 MM FOR LLRM OIL TANK |
| 04 | 14221617 | SUPPORT RUBBER 305 X 137 MM FOR LLRM OIL TANK |
| 05 | 14221616 | SUPPORT 400 X 35 MM FOR LLRM OIL TANK |



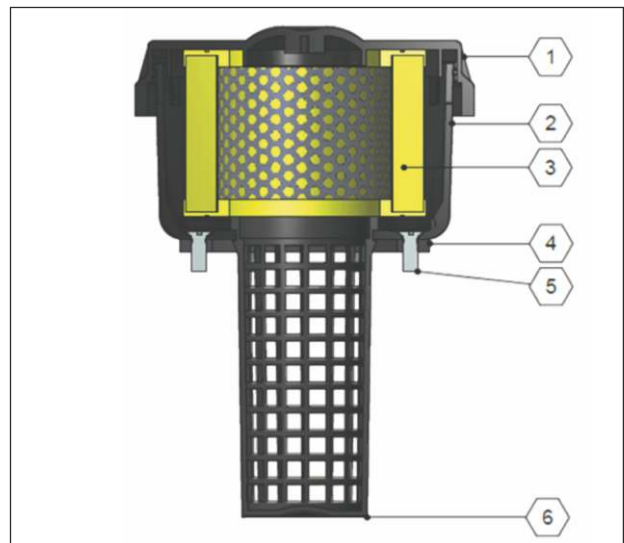
AIR BREATHER

| Part no. | Description | Filtration | Filter capacity | Weight |
|----------|-----------------------------------|------------|-----------------|--------|
| 08102116 | FILLER/BREATHER ASSEMBLY COMPLETE | 10 µM | 1350 L/MIN. | 0.4 KG |

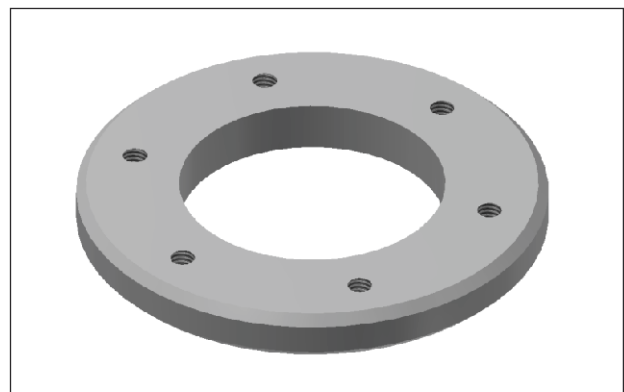


SPARE PARTS AIR BREATHER FILTER

| Pos. | Part no. | Description | Qty |
|------|----------|--------------------|-----|
| 1 | 08102119 | COVER | 1 |
| 2 | 08102125 | FILTER HOUSE | 1 |
| 3 | 08102117 | AIR FILTER ELEMENT | 1 |
| 4 | 08102126 | SEAL | 1 |
| 5 | 08102127 | BOLT | 6 |
| 6 | 08102128 | SLEEVE | 1 |



| Part no. | Description |
|----------|--|
| 08102119 | STEEL MOUNTING FLANGE FOR AIR BREATHER FILTER 081 02 116 |



TANK RETURN FILTER KITS - HOUSE VERSION

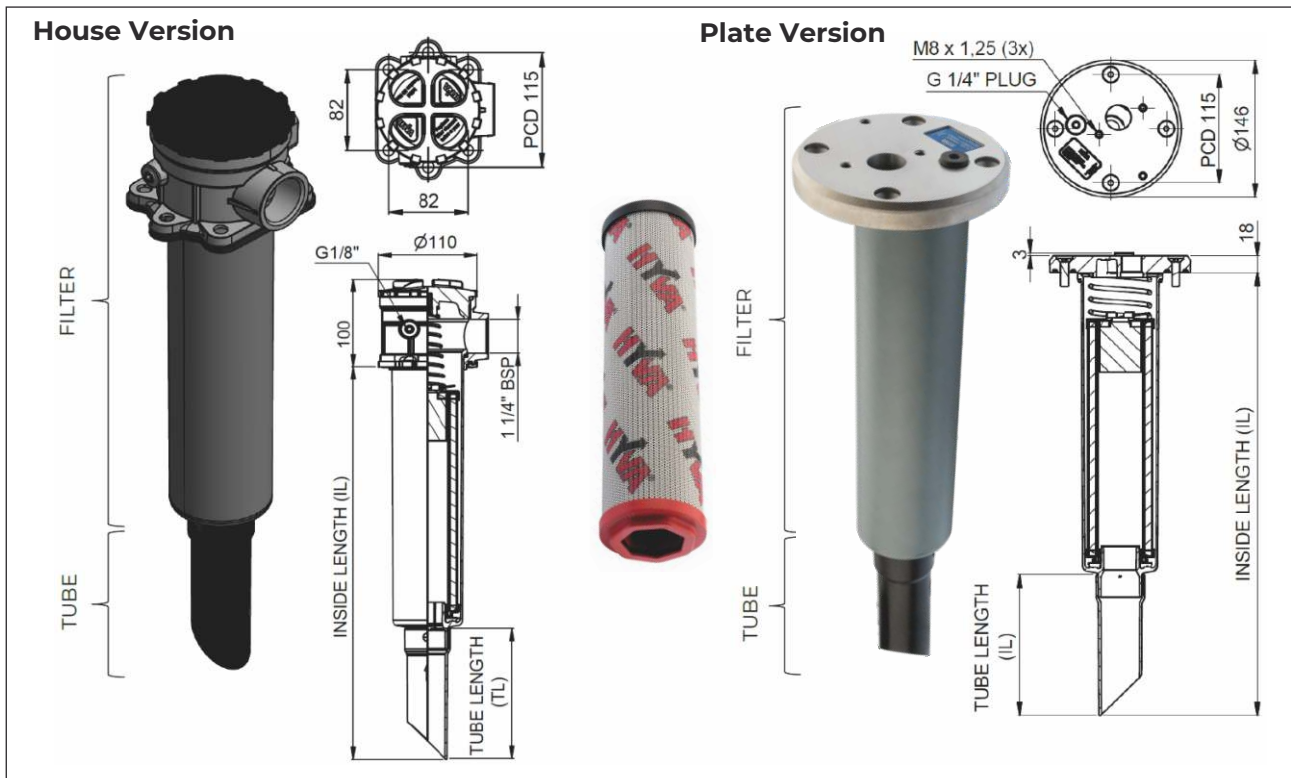
| Part no. | Description | Inside length (mm) | Tube length (mm) | Weight (kg) | Nominal flow (l/min) | Filter element (µm) | Filter area (mm ²) |
|----------|-------------------------------------|--------------------|------------------|-------------|----------------------|---------------------|--------------------------------|
| 14780351 | TANK RETURN FILTER HOUSE KIT 449 HC | 449 | 150 | 1.4 | 240 | 25 | 1955 |
| 14780352 | TANK RETURN FILTER HOUSE KIT 549 HC | 549 | 250 | 1.4 | 240 | 25 | 1955 |
| 14780353 | TANK RETURN FILTER HOUSE KIT 649 HC | 649 | 300 | 1.5 | 240 | 25 | 1955 |

* These filter house kits are including: Filter assembly, extension tube, mounting kit and flat gasket

TANK RETURN FILTER KITS - PLATE VERSION

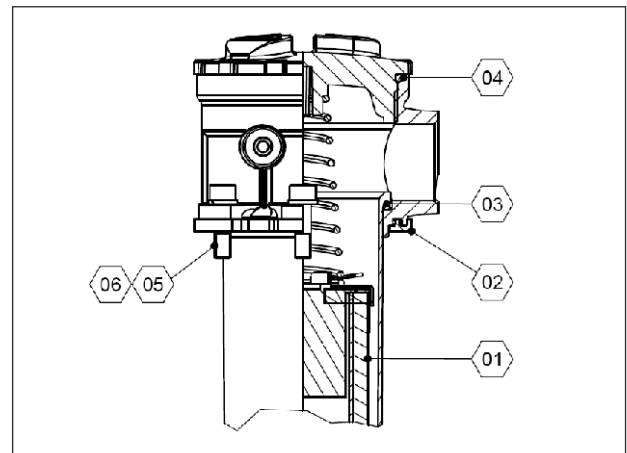
| Part no. | Description | Inside length (mm) | Tube length (mm) | Weight (kg) | Nominal flow (l/min) | Filter element (µm) | Filter area (mm ²) |
|----------|-------------------------------------|--------------------|------------------|-------------|----------------------|---------------------|--------------------------------|
| 14895923 | TANK RETURN FILTER PLATE KIT 469 HC | 469 | 150 | 1.63 | 240 | 25 | 1955 |
| 14895924 | TANK RETURN FILTER PLATE KIT 569 HC | 569 | 250 | 1.68 | 240 | 25 | 1955 |
| 14895925 | TANK RETURN FILTER PLATE KIT 669 HC | 669 | 300 | 1.73 | 240 | 25 | 1955 |

* These filter plate kits are including: Filter assembly, extension tube, mounting kit and flat gasket



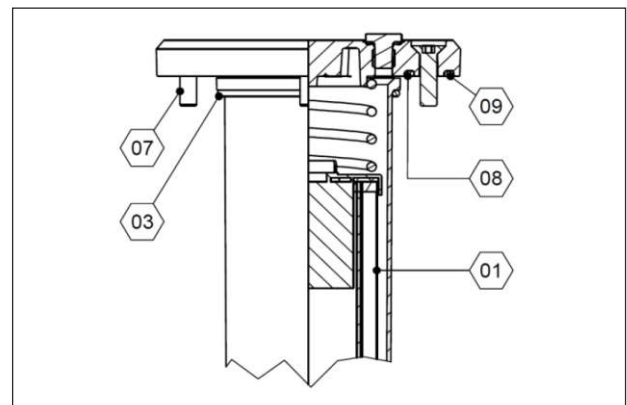
SPARE PARTS - HOUSE VERSION

| Pos. | Part no. | Description | Qty |
|------|----------|------------------------------|-----|
| 01 | 14896992 | FILTER ELEMENT | 1 |
| - | 14596971 | SEAL KIT (PARTS 02, 03 & 04) | - |
| 02 | - | FLAT GASKET | 1 |
| 03 | - | BOWL O-RING | 1 |
| 04 | - | COVER O-RING | 1 |
| 05 | 15013643 | BOLT HSHC M8X1,25 | 4 |
| 06 | 15022020 | WASHER M8 | 4 |



SPARE PARTS - PLATE VERSION

| Pos. | Part no. | Description | Qty |
|------|----------|------------------------------|-----|
| 01 | 14896992 | FILTER ELEMENT | 1 |
| 07 | 15012790 | COUNTERSUNK BOLT M8 | 4 |
| - | 14896972 | SEAL KIT (PARTS 03, 08 & 09) | - |
| 03 | - | BOWL O-RING | 1 |
| 08 | - | PLATE O-RING | 1 |
| 09 | - | PLATE O-RING | 1 |



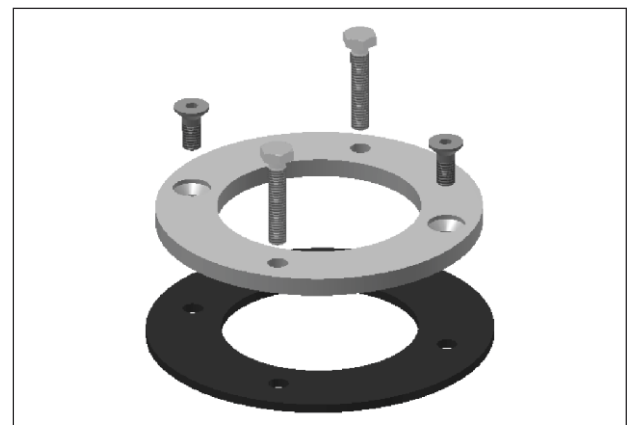
ADAPTOR KIT 90 DEGREES FOR PLATE FILTER

| Part no. | Description | Weight (kg) |
|----------|--|-------------|
| 01317987 | ADAPTOR KIT 90 FOR RETURN FILTER 1" BSPOTC | 0.1 |



STRENGTHENING RING

| Part no. | Description |
|----------|-----------------------------------|
| 14020509 | Strengthening ring SM tank RF kit |



110 countries
+3,500 employees
20,000 customers
+30 subsidiaries
12 production facilities



Hyva is a leading provider of innovative and highly efficient transport solutions for commercial vehicles used in transport, construction, mining, materials handling and environmental service industries.

Founded in 1979 in the Netherlands, the company has a global presence with more than 30 wholly owned subsidiaries, extraordinary service coverage and 12 manufacturing facilities in Brazil, China, Europe and India.

For more information on Hyva, please visit www.hyva.com

or follow us on:



Hyva Holding B.V.
Antonie van Leeuwenhoekweg 37
2408 AK Alphen aan den Rijn
The Netherlands
Telephone: +31 (0)172 - 42 35 55
Telefax: +31 (0)172 - 42 08 80
info@hyva.com
www.hyva.com



Quality and
environmental certified

DEALER STAMP