

3D model is available on request

Specifications

Support configuration	Tank + Support	
Part number	14015076	
Material	Aluminium	
Tank with rubber for support, support, straps and rubber for straps are included	Yes	
Gross volume	177	litres
Working volume 1	144	litres
Working volume 2	128	litres
Weight of tank	29	kg
A* :Suction Port	1.5"	BSP

* The suction port (A) is closed with temporary plastic plug.

**Air breather is included with the tank and return filter must be ordered separately.

Technical notes

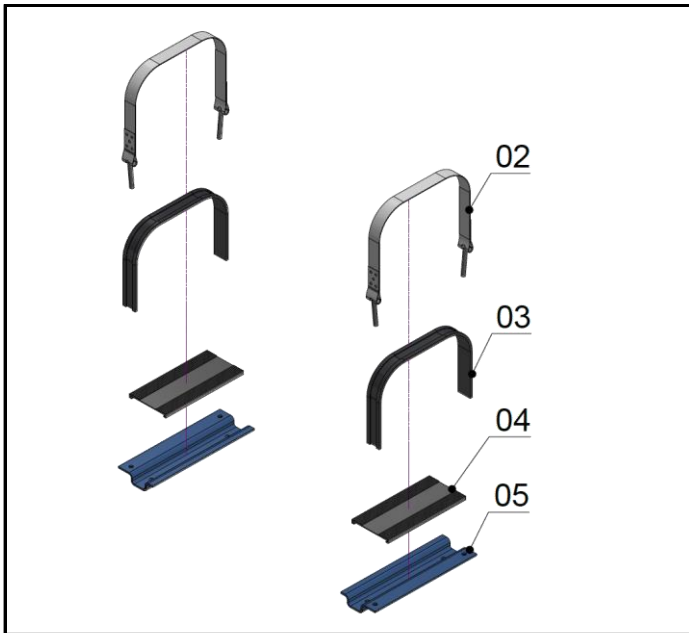
- Mount the tank according the mounting instructions • Fill the tank with the recommended hydraulic oil to the centre of the level indicator
- Change the oil once a year • Replace the air breather and return filter element twice a year • Do not use the tank to stand on or as a support
- Do not weld on the oil tank

Related documentation

Mounting instructions: OIL-0025

Oil specifications: OIL-0011

Mounting kit



Full kit

No.	Part no.	Description
01	14221615	Standard support kit for LLRM oil tank*

* Full kit = 2 x the separate mounting parts (strap with T-bolt and nut (1), rubber for strap (2), rubber for support (3) and supports (5).

Spare parts

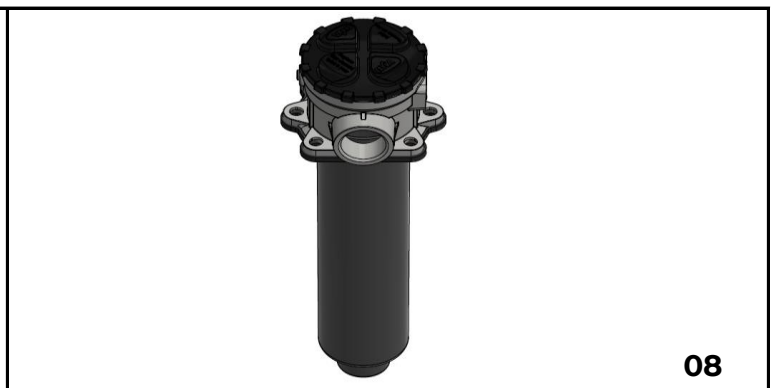
No.	Part no.	Description
02	14020471	Strap 858 x 40 mm for LLRM oil tank
03	14020357	Strap rubber 780 x 40 mm for LLRM oil tank
04	14221617	Support rubber 305 x 137 mm for LLRM oil tank
05	14221616	Support 400 x 35 mm for LLRM oil tank

Air breather



No.	Part no.	Description	Weight [kg]
06	08102116	Air breather	0.4

Return Filters



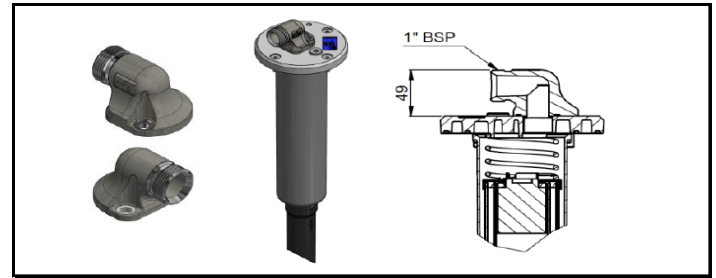
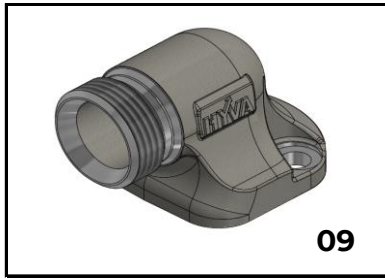
No.	Part no.	Description	Weight [kg]
07	14895926	Return filter plate version	1.9
08	14780351*	Return filter house version	2.7

* For return filter house version, ensure to remove the extension tube.

** In general all types of return filters can be assembled when the extension tube is removed.

***Attention! : Return line filters are not in the mounting kit. To be ordered separately.

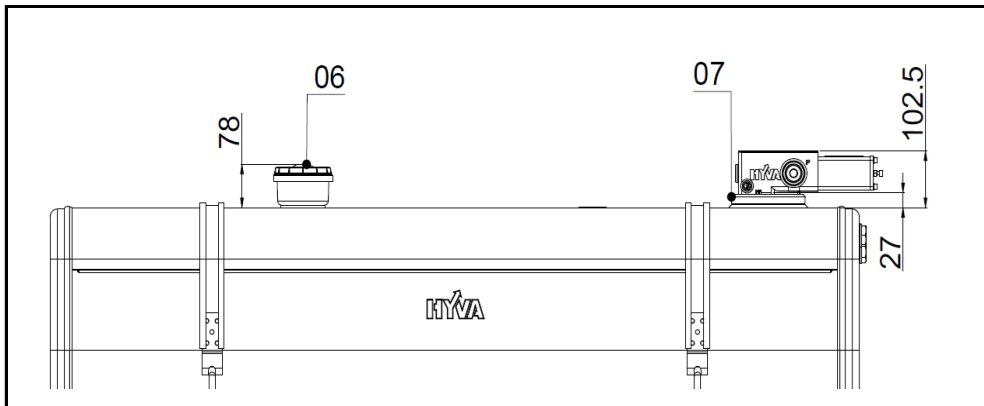
Option adaptor for plate filter



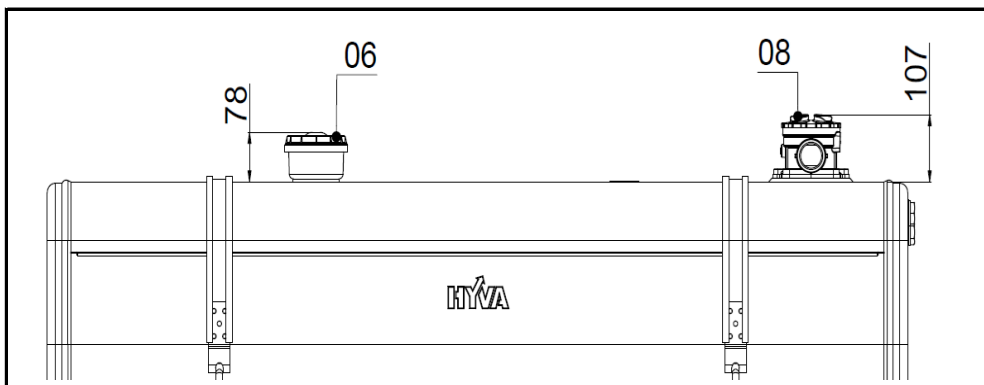
No.	Part no.	Description	Qty
09	01317987	Adaptor kit 90 for return filter-1" BSPOTC	1

Part no.	Description	Qty
incl. in adaptor kit	Adaptor-90-elbow-1" BSPOTC	1
incl. in adaptor kit	Bolt HSHC M8x16x1.25 DIN 912 ZP	2
incl. in adaptor kit	O-Ring 34.60x2.62	1

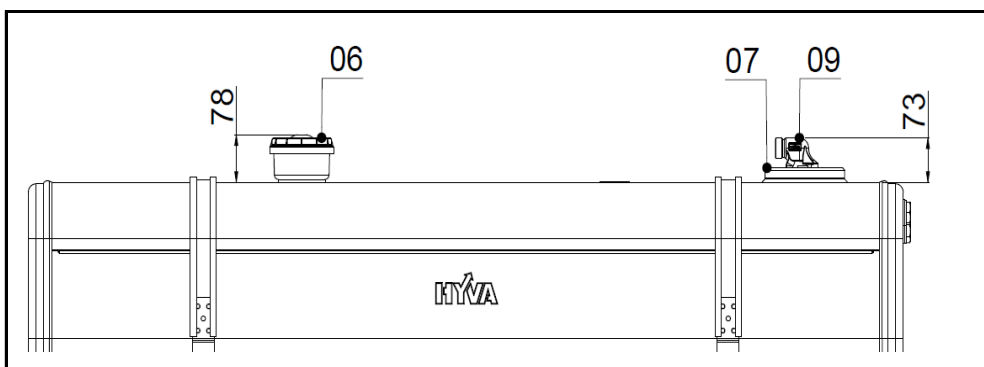
Valve mounting options



Valve mounted on tank



Valve mounted on chassis or cylinder (SAE)



Valve mounted on chassis or cylinder with Return line plate version