

HYVA OIL TANKS



CRADLE MOUNTED TANK WITH RETURN FILTER AND VALVE MOUNTING BLOCK

Hyva

type :

CM - 063L/042L - MP

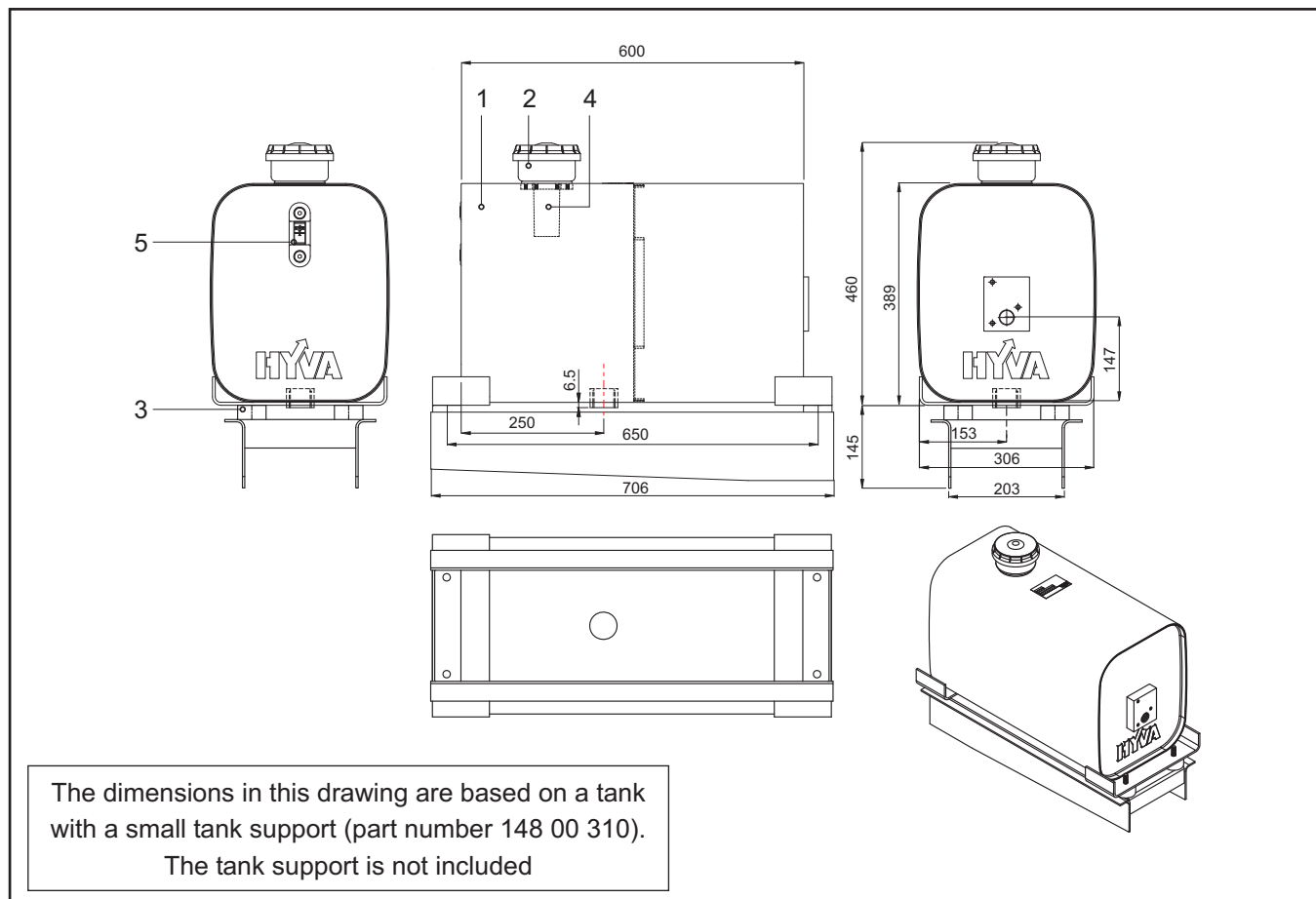
part number tank :

140 16 270

Page 1 / 2

working volume :

42 liters



The dimensions in this drawing are based on a tank with a small tank support (part number 148 00 310).
The tank support is not included

Part list

Pos.	Part no.	Description	Qty.
1	140 16 270	tank CM - 063L/042L - MP - RF	1
2	081 02 116	air breather filter	1
3	081 01 073	vibration damper M10x30	4

Spare Parts

Pos.	Part no.	Description	Qty.
4	081 02 117	air filter element	1
5	081 02 129	level indicator	1

General information

Pay attention to the following points:

- Mount the tank according the mounting instructions.
- Fill the tank with the recommended hydraulic oil to the centre of the level indicator.
- Change the oil once a year.
- Replace the air breather element twice a year.
- Do not use the tank as a support or to stand on.
- Do not weld to the oil tank.
- Check the vibration dampers monthly.

Mounting instructions

Cradle mounted tank on chassis

Before mounting oil tank, check carefully whether all openings and connections are free of packaging tape, dirt or particles etc.

- **Mounting tank on tank support** Put the 4 vibration dampers on the support and then put the tank on the dampers. Use the self-locking nuts on the dampers. Mount a M12x60 bolt with lock nut through the central hole as safety. **Do not tighten the nut.** Torque the self-locking nuts to 30 Nm. Check the bolts on torque after 1000 km.
- **Mounting the tank support on the cylinder cradle** Place the back of the tank support at least 200 mm inside the cradle. Plug weld the support to the cradle through the holes in the cradle
- **Sealing** Use fluid sealant or Teflon tape when fitting to a hydraulic component without O-ring. When a hydraulic component is provided with O-ring, no tape or fluid sealant is necessary.

Specifications

Gross volume	: 63	Liters
Working volume	: 42	Liters
Weight tank	: 20	kg
Suction connection	: 1½"	BSPIT

HYVA OIL TANKS



CRADLE MOUNTED TANK WITH RETURN FILTER AND VALVE MOUNTING BLOCK

Hyva

type :

CM - 063L/042L - MP

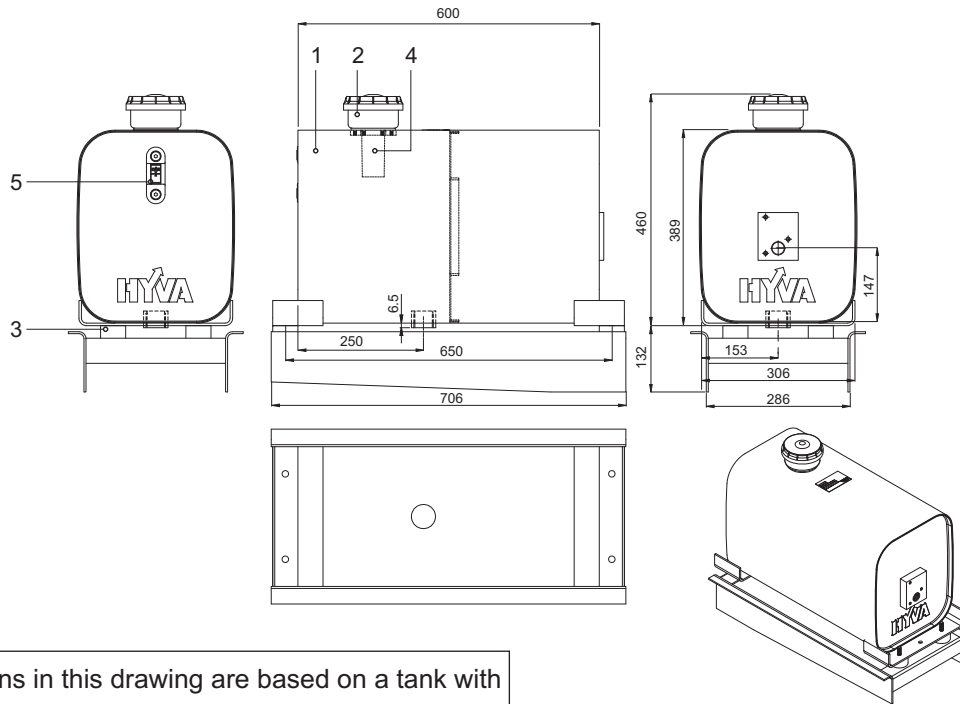
part number tank :

140 16 270

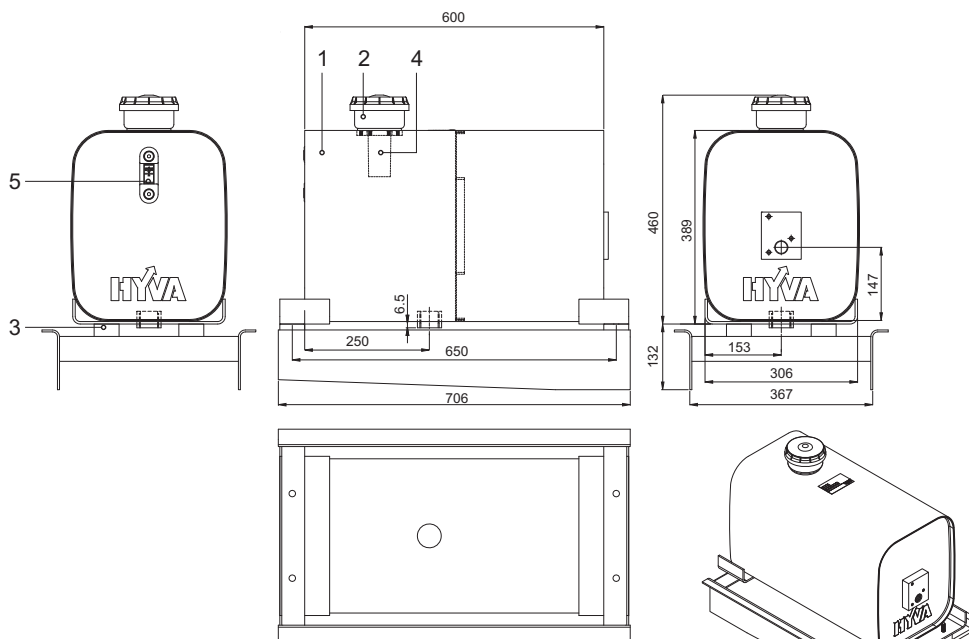
Page 2 / 2

working volume :

42 liters



The dimensions in this drawing are based on a tank with a medium tank support (part number 148 00 317).
The tank support is not included



The dimensions in this drawing are based on a tank with a large tank support (part number 148 00 320).
The tank support is not included