

# HYVA OIL TANKS



## TOP FLANGE MOUNTED TANK WITH RETURN FILTER

Hyva

type :

TM - 110L/085L - RF

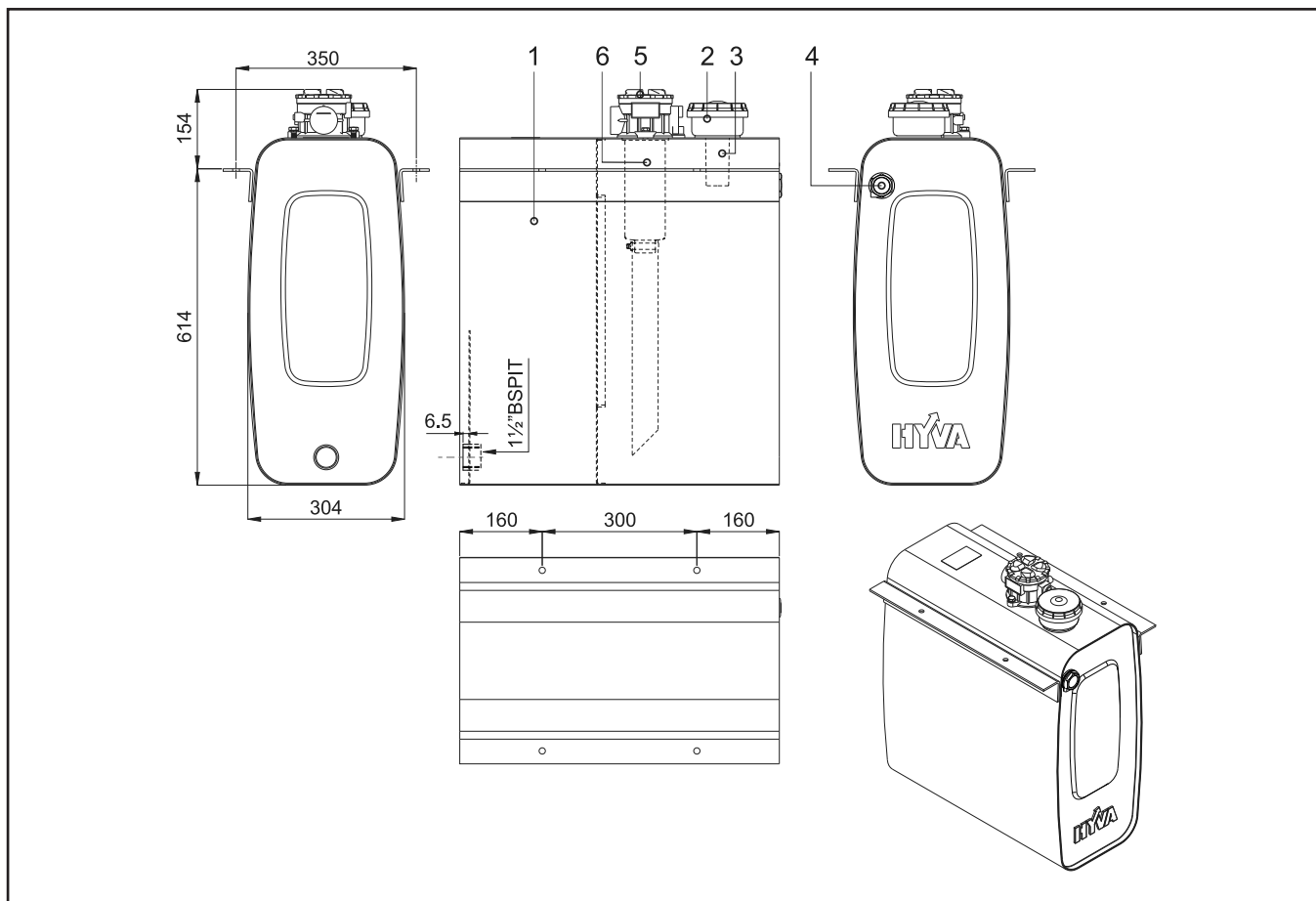
part number tank :

140 16 330

Page 1 / 1

working volume :

85 liters



### Part list

| Pos. | Part no.   | Description              | Qty. |
|------|------------|--------------------------|------|
| 1    | 140 16 330 | tank TM - 110L/085L - RF | 1    |
| 2    | 081 02 116 | air breather filter      | 1    |

### Spare Parts

| Pos. | Part no.     | Description            | Qty. |
|------|--------------|------------------------|------|
| 3    | 081 02 117   | air filter element     | 1    |
| 4    | 081 02 107   | 1 1/4" level spy glass | 1    |
| 5    | 147 80 306   | return line filter     | 1    |
| 6    | 148 96 991 A | oil filter element     | 1    |

### General information

#### Pay attention to the following points:

- Mount the tank according to the mounting instructions.
- Fill the tank with the recommended hydraulic oil to the centre of the level indicator.
- Change the oil once a year.
- Replace the air breather and return filter element twice a year.
- Do not use the tank as a support or to stand on.
- Do not weld to the oil tank.

### Mounting instructions

#### Top flange mounted tank on chassis

Before mounting oil tank, check carefully whether all openings and connections are free of packaging tape, dirt or particles etc.

- **Mounting** Mount the rubber pads on the chassis. Mount the tank profiles on the rubber pads. Use the rubber pads together with the bolts, lock washers and self-locking nuts. Make sure all four bolts are evenly tightened. Tighten the nuts until the metal makes contact with the rubber. Then tighten the nut one more complete turn. Check the bolts after 1000 km. Do not overtighten the bolts, since this can cause leakage.
- **Sealing** Use fluid sealant or Teflon tape when fitting to a hydraulic component without O-ring. When a hydraulic component is provided with O-ring, no tape or fluid sealant is necessary.

### Specifications

|                    |          |        |
|--------------------|----------|--------|
| Gross volume       | : 110    | Liters |
| Working volume     | : 85     | Liters |
| Weight tank        | : 38     | kg     |
| Suction connection | : 1 1/2" | BSPIT  |