

# HYVA PTO'S



PNEUMATICALLY OPERATED POWER TAKE-OFF

Hyva

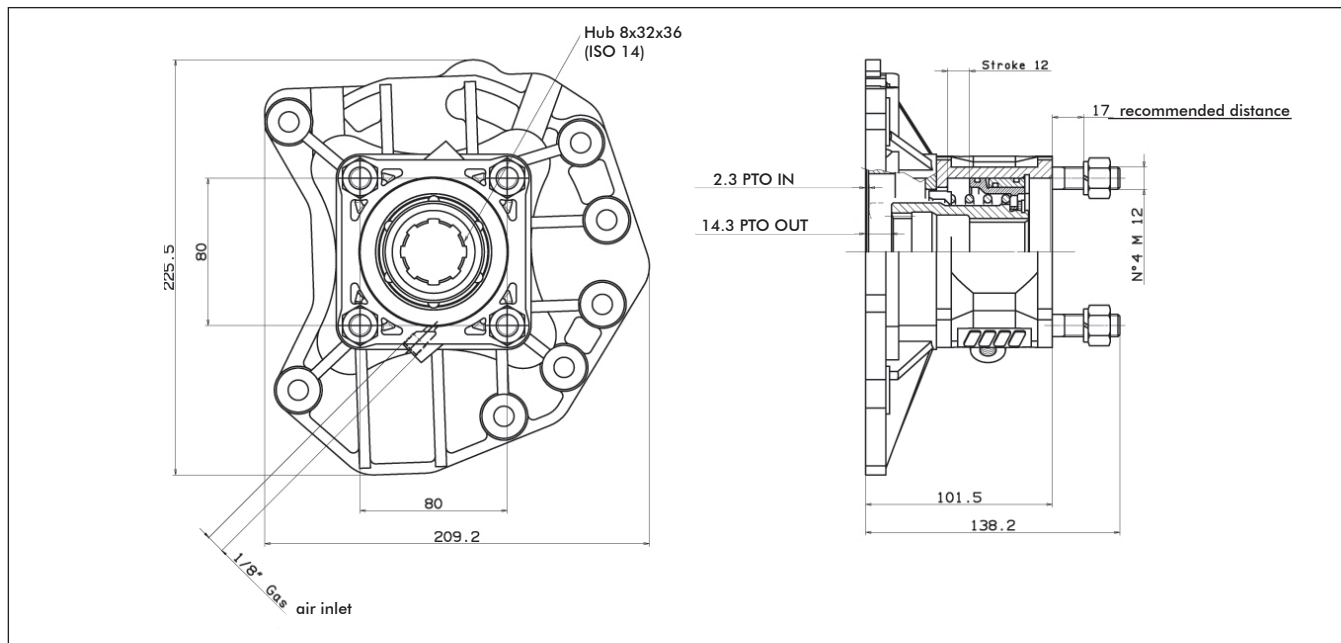
Partno. PTO only:

021207022

Type Gearbox:

MERCEDES

Page 1 / 1



## Specifications

Type Gearbox	SEE INDEX
PTO ratio@1000 eng. rpm	SEE INDEX
Max torque	400 Nm
Mounting side	Rear
Output	Rear
Rotation	Cw

## Mounting kit

Part no.	SEE INDEX
----------	-----------

