



CATALOGUE  
**SKIPLOADERS**

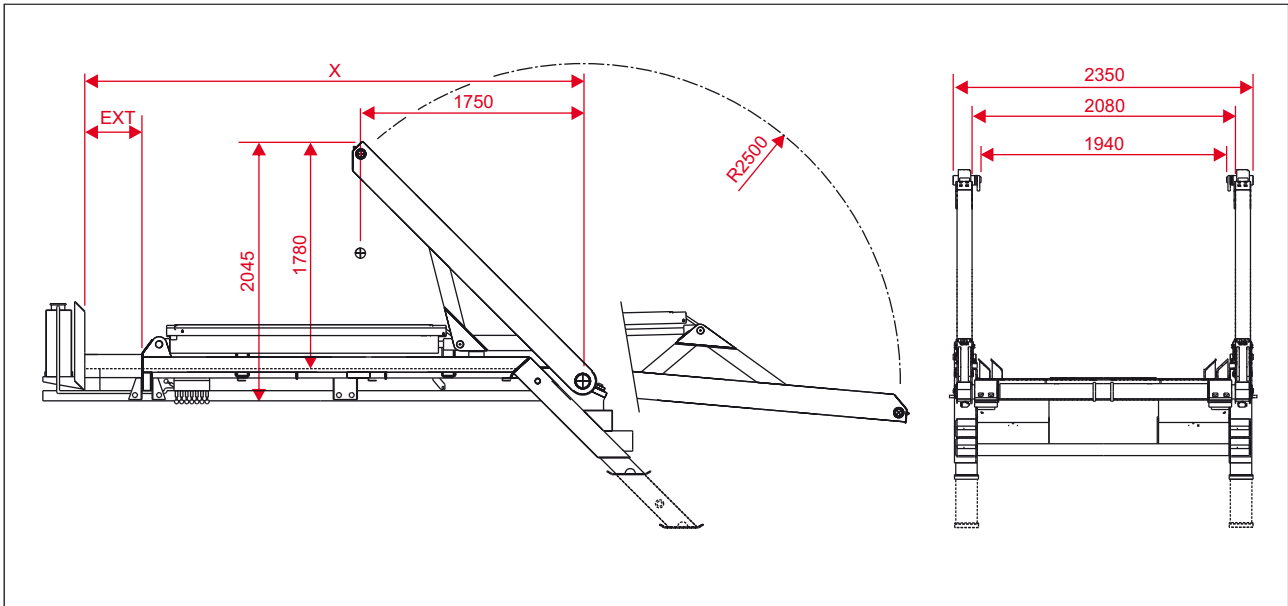


INTRODUCTION .....	4
SKIPLOADER: NG 2006 .....	5
SKIPLOADER: NG 2006 TA.....	6
SKIPLOADER: NG 2008.....	7
SKIPLOADER: NG 2008 TA .....	8
SKIPLOADER: NG 2012 XL.....	9
TITAN BOLTABLE SKIPLOADER: TS 2012 XL.....	10
SKIPLOADER: NG 2012 TAXL.....	11
TITAN BOLTABLE SKIPLOADER: TS 2012 TAXL .....	12
TITAN BOLTABLE SKIPLOADER: TS 2012 TAZ .....	13
SKIPLOADER: NG 2014 XL.....	14
TITAN BOLTABLE SKIPLOADER: TS 2014 XL .....	15
SKIPLOADER: NG 2014 TAXL .....	16
TITAN BOLTABLE SKIPLOADER: TS 2014 TAXL.....	17
TITAN BOLTABLE SKIPLOADER: TS 2014 TAZ .....	18
SKIPLOADER: NG 2018 XL.....	19
TITAN BOLTABLE SKIPLOADER: TS 2018 XL.....	20
SKIPLOADER: NG 2018 TAXL.....	21
TITAN BOLTABLE SKIPLOADER: TS 2018 TAXL .....	22
TITAN BOLTABLE SKIPLOADER: TS 2018 TAZ.....	23

The Most Advanced Skiploader Available Further enhancing Hyva's track record for innovation and versatility, TITAN is the most advanced skiploader available today. Thanks to TITAN's range of advanced features and user benefits, skiploader operation is now faster, safer, more efficient and more productive than ever.

### Key facts

- Fully bolted construction for easy installation and maintenance
- Radio remote control system (TRR) unique to Hyva
- Safe, efficient and speedy operation
- Floor mounted skip clamps keep containers secure
- High quality factory anti - corrosion paint
- Maximum durability and reliability

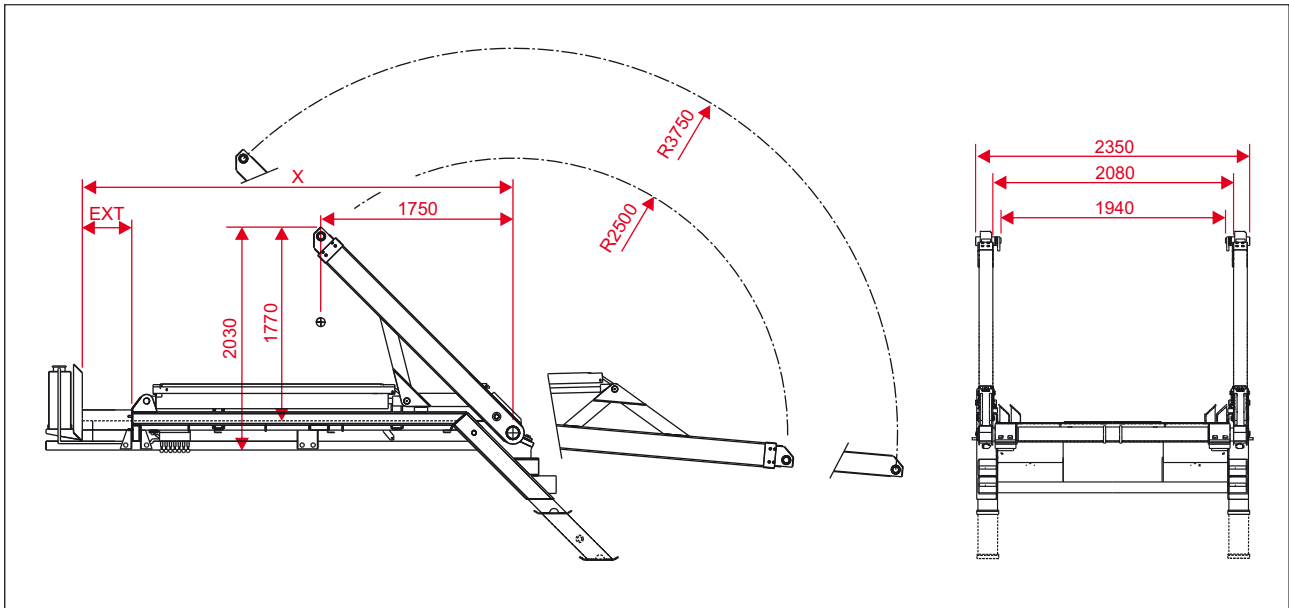


TYPE:	NG2006	NG2006 + 450 EXT
<b>X (mm)</b>	3.470	3.920
<b>Lifting capacity from ground level (Kg)</b>	6.500	6.500
<b>Lifting strength 800 mm below ground level (Kg)</b>	4.300	4.300
<b>Approx. Useable loading capacity (Kg) (depending on chassis height)</b>	± 6.500	± 6.500
<b>Standard weight (Kg)<sup>1</sup></b>	± 1.900	± 1.980
<b>Pick up-time<sup>2</sup> (s)</b>	44	44
<b>Unloading-time<sup>2</sup> (s)</b>	36	36
<b>Jack legs out/in<sup>2</sup> (s)</b>	4	4
<b>Fast off load empty container<sup>2</sup> (s)</b>	13	13

<sup>1</sup> Estimation based on a standard system, filled with oil, incl. sub frame, excl options.

<sup>2</sup> Estimation based on: PTO type C, pump 60 l/min., motor 1200 rpm, PTO transmission i = 1.0.

**System can also be delivered with outside width 2100mm.**



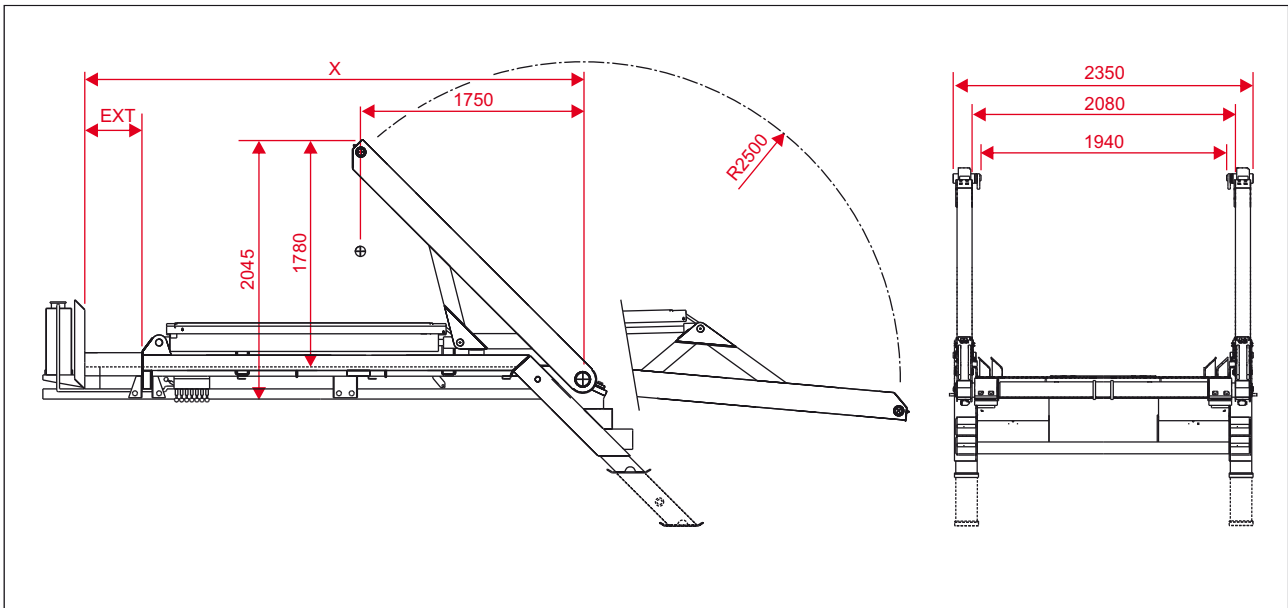
TYPE:	NG2006 TA	NG2006 TA + 450 EXT
<b>X (mm)</b>	3.470	3.920
<b>Lifting capacity from ground level (Kg)</b>		
Arm length 2500 mm	6.500	6.500
Arm length 3750 mm <sup>3</sup>	4.600	4.600
<b>Lifting strength 800 mm below ground level (Kg)</b>		
Arm length 2500 mm	4.300	4.300
Arm length 3750 mm <sup>3</sup>	3.000	3.000
<b>Approx. Useable loading capacity (Kg) (depending on chassis height)</b>	± 6.500	± 6.500
<b>Standard weight (Kg)<sup>1</sup></b>	± 2.130	± 2.210
<b>Pick up-time<sup>2</sup> (s)</b>	44	44
<b>Unloading-time<sup>2</sup> (s)</b>	36	36
<b>Jack legs out/in<sup>2</sup> (s)</b>	4	4
<b>Telescopic arm out/in<sup>2</sup> (s)</b>	7	7
<b>Fast off load empty container<sup>3</sup> (s)</b>	13	13

<sup>1</sup> Estimation based on a standard system, filled with oil, incl. sub frame, excl options.

<sup>2</sup> Estimation based on: PTO type C, pump 60 l/min., motor 1200 rpm, PTO transmission i = 1.0.

<sup>3</sup> Based on lifting arms under an angle of 15°.

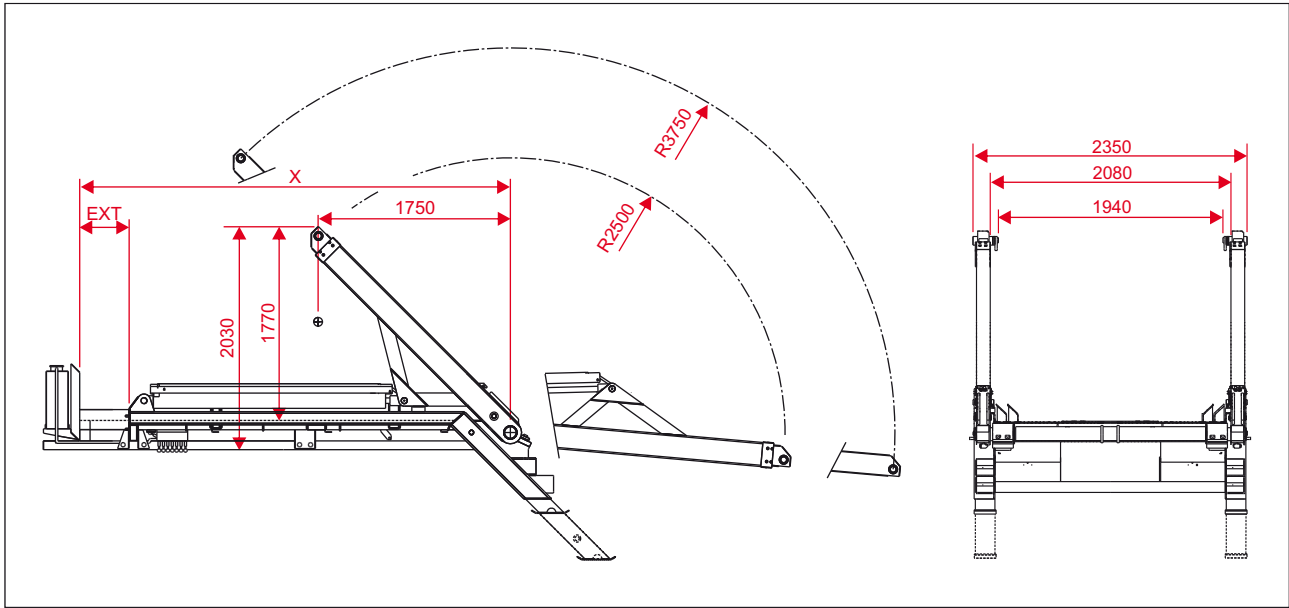
**System can also be delivered with outside width 2100mm.**



TYPE:	NG2008	NG2008 + 250 EXT	NG2008 + 450 EXT
<b>X (mm)</b>	3.470	3.720	3.920
<b>Lifting capacity from ground level (Kg)</b>	8.500	8.500	8.500
<b>Lifting strength 800 mm below ground level (Kg)</b>	5.600	5.600	5.600
<b>Approx. Useable loading capacity (Kg) (depending on chassis height)</b>	± 8.500	± 8.500	± 8.500
<b>Standard weight (Kg) <sup>1</sup></b>	± 2.150	± 2.230	± 2.250
<b>Pick up-time<sup>2</sup> (s)</b>	44	44	44
<b>Unloading-time<sup>2</sup> (s)</b>	36	36	36
<b>Jack legs out/in<sup>2</sup> (s)</b>	4	4	4
<b>Fast off load empty container<sup>2</sup> (s)</b>	13	13	13

<sup>1</sup> Estimation based on a standard system, filled with oil, incl. sub frame, excl options.

<sup>2</sup> Estimation based on: PTO type C, pump 60 l/min., motor 1200 rpm, PTO transmission i = 1.0.



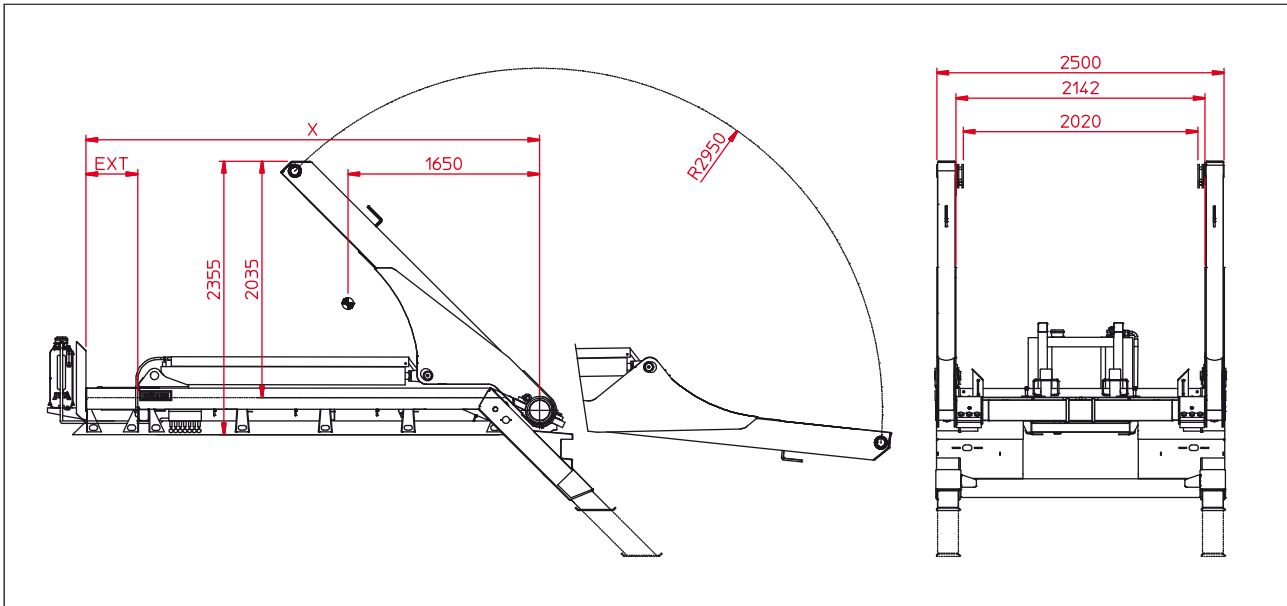
TYPE:	NG2008 TA	NG2008 TA + 250 EXT	NG2008 TA + 450 EXT
<b>X (mm)</b>	3.470	3.720	3.920
<b>Lifting capacity from ground level (Kg)</b>			
Arm length 2500 mm	8.500	8.500	8.500
Arm length 3750 mm <sup>3</sup>	6.000	6.000	6.000
<b>Lifting strength 800 mm below ground level (Kg)</b>			
Arm length 2500 mm	5.600	5.600	5.600
Arm length 3750 mm <sup>3</sup>	4.000	4.000	4.000
<b>Approx. Useable loading capacity (Kg) (depending on chassis height)</b>	± 8.500	± 8.500	± 8.500
<b>Standard weight (Kg)<sup>1</sup></b>	± 2.300	± 2.380	± 2.400
<b>Pick up-time<sup>2</sup> (s)</b>	44	44	44
<b>Unloading-time<sup>2</sup> (s)</b>	36	36	36
<b>Jack legs out/in<sup>2</sup> (s)</b>	4	4	4
<b>Telescopic arm out/in<sup>2</sup> (s)</b>	7	7	7
<b>Fast off load empty container<sup>2</sup> (s)</b>	13	13	13

<sup>1</sup> Estimation based on a standard system, filled with oil, incl. sub frame, excl options.

<sup>2</sup> Estimation based on: PTO type C, pump 60 l/min., motor 1200 rpm, PTO transmission i = 1.0.

<sup>3</sup> Based on lifting arms under an angle of 15°.





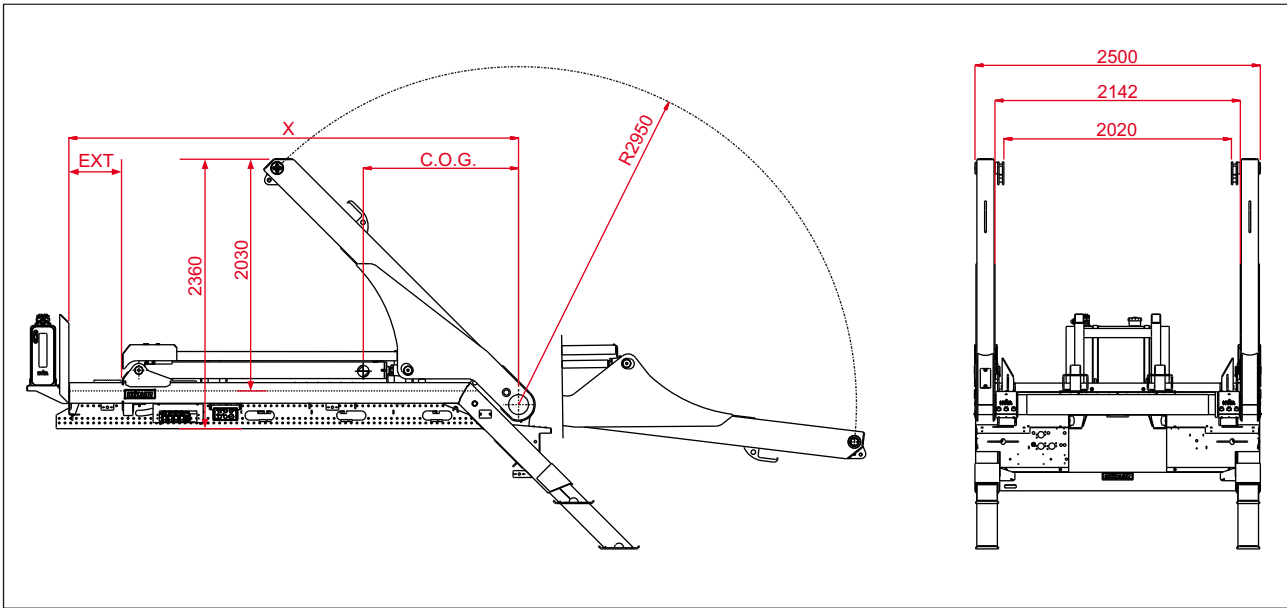
TYPE:	NG2012 XL	NG2012 XL + 250 EXT	NG2012 XL + 450 EXT	NG2012 XL + 650 EXT	NG2012 XL + 850 EXT	NG2012 XL + 1350 EXT
<b>X (mm)</b>	3.470	3.720	3.920	4.120	4.320	4.820
<b>Lifting capacity from ground level (Kg)</b>	12.000	12.000	12.000	12.000	12.000	12.000
<b>Lifting strength 800mm below ground level (Kg)</b>	7.500	7.500	7.500	7.500	7.500	7.500
<b>Approx. Useable loading capacity (depending on chassis height) (Kg)</b>	±12.000	±12.000	±12.000	±12.000	±12.000	±12.000
<b>Standard weight (Kg) <sup>1</sup></b>	±2.670	±2.750	±2.770	±2.790	±2.805	±2.950
<b>Pick up -time<sup>2</sup> (s)</b>	33	33	33	33	33	33
<b>Unloading-time<sup>2</sup> (s)</b>	27	27	27	27	27	27
<b>Jack legs out/in<sup>2</sup> (s)</b>	8	8	8	8	8	8
<b>Fast off load empty container<sup>3</sup> (s)</b>	16	16	16	16	16	16

<sup>1</sup> Estimation based on a standard system, filled with oil, incl. sub frame, excl options.

<sup>2</sup> Estimation based on: PTO type C, pump 80 l/min., motor 1200 rpm, PTO transmission i = 1.0.

<sup>3</sup> Fast unloading requires optional fast-lift off (option 6.5)





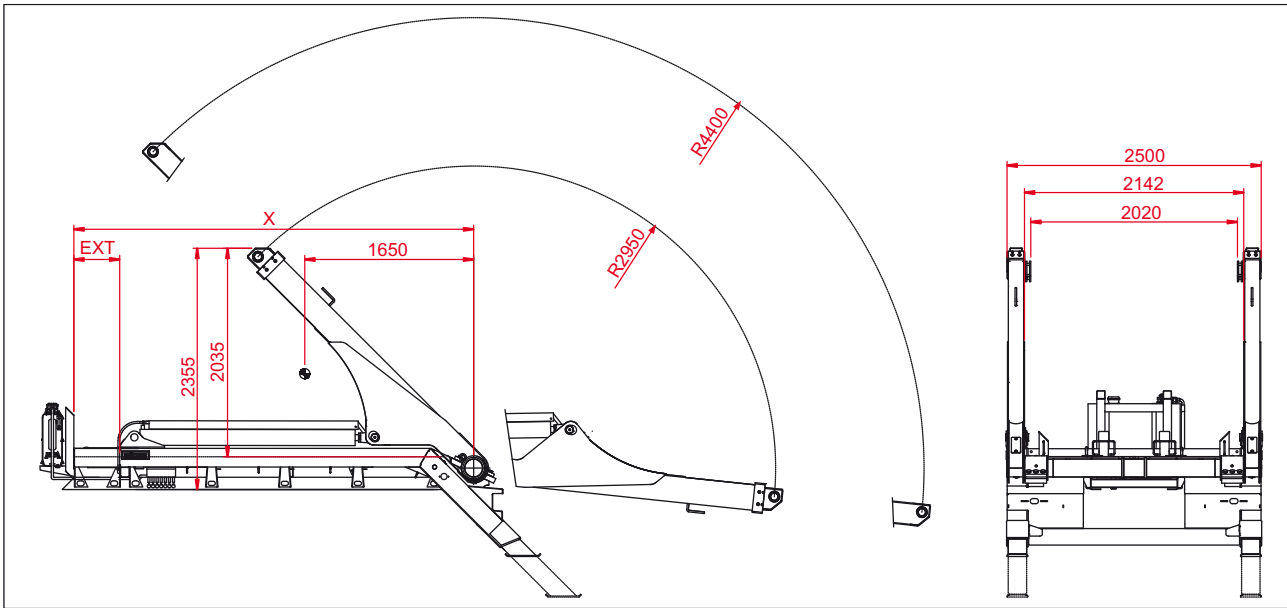
TYPE:	SL2012 XL	SL2012 XL + 250 EXT	SL2012 XL + 450 EXT	SL2012 XL + 650 EXT	SL2012 XL + 850 EXT	SL2012 XL + 1350 EXT
<b>X (mm)</b>	3.470	3.720	3.920	4.120	4.320	4.820
<b>Lifting capacity from ground level (Kg)</b>	12.000	12.000	12.000	12.000	12.000	12.000
<b>Lifting strength 800mm below ground level (Kg)</b>	7.500	7.500	7.500	7.500	7.500	7.500
<b>Approx. Useable loading capacity (depending on chassis height) (Kg)</b>	±12.000	±12.000	±12.000	±12.000	±12.000	±12.000
<b>Standard weight (Kg) <sup>1</sup></b>	±2.670	±2.750	±2.770	±2.790	±2.805	±2.950
<b>C.O.G. (mm)</b>	±1.340	±1.410	±1.445	±1.490	±1.535	±1.635
<b>Pick up -time<sup>2</sup> (s)</b>	24	24	24	24	24	24
<b>Unloading-time<sup>2</sup> (s)</b>	32	32	32	32	32	32
<b>Jack legs out/in<sup>2</sup> (s)</b>	4	4	4	4	4	4
<b>Fast off load empty container<sup>3</sup> (s)</b>	15	15	15	15	15	15

<sup>1</sup> Estimation based on a standard system, filled with oil, incl. sub frame, excl options.

<sup>2</sup> Estimation based on: PTO type C, pump 80 l/min., motor 1200 rpm, PTO transmission i = 1.0.

<sup>3</sup> Based on lifting arms under an angle of 15°.





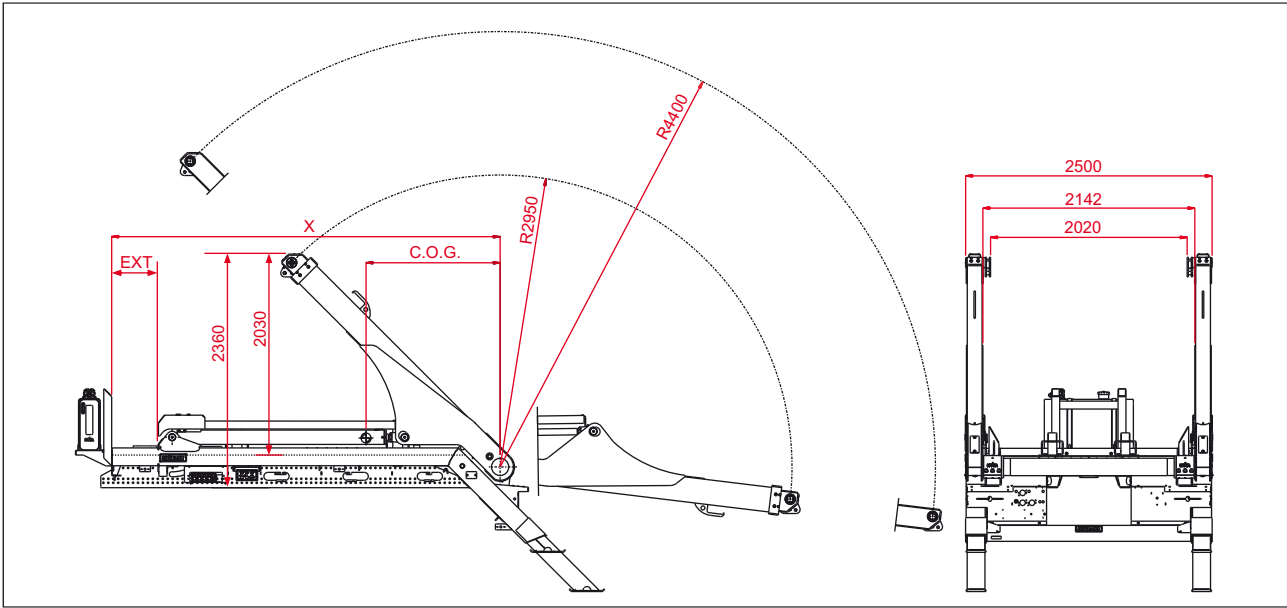
TYPE: XL= 1450 mm	NG2012TA XL	NG2012TA XL + 250 EXT	NG2012TA XL + 450 EXT	NG2012TA XL + 650 EXT	NG2012TA XL + 850 EXT	NG2012TA XL + 1350 EXT
<b>X (mm)</b>	3.470	3.720	3.920	4.120	4.320	4.820
<b>Lifting capacity (Kg)</b> Arm length 2950 mm Arm length 4400 mm <sup>3</sup>	12.000 8.000	12.000 8.000	12.000 8.000	12.000 8.000	12.000 8.000	12.000 8.000
<b>Lifting strength 800mm below ground level (Kg)</b> Arm length 2950 mm Arm length 4400 mm <sup>3</sup>	8.200 5.400	8.200 5.400	8.200 5.400	8.200 5.400	8.200 5.400	8.200 5.400
<b>Approx. Useable loading capacity (depending on chassis height) (Kg)</b>	±12.000	±12.000	±12.000	±12.000	±12.000	±12.000
<b>Standard weight (Kg)<sup>1</sup></b>	±2.875	±2.955	±3.025	±3.035	±3.040	±3.070
<b>Pick up -time<sup>2</sup> (s)</b>	33	33	33	33	33	33
<b>Unloading-time<sup>2</sup> (s)</b>	27	27	27	27	27	27
<b>Jack legs out/in<sup>2</sup> (s)</b>	8	8	8	8	8	8
<b>Telescopic arm out/in<sup>2</sup> (s)</b>	11	11	11	11	11	11
<b>Fast off load empty container<sup>2</sup> (s)</b>	16	16	16	16	16	16

<sup>1</sup> Estimation based on a standard system, filled with oil, incl. sub frame, excl options.

<sup>2</sup> Estimation based on: PTO type C, pump 80 l/min., motor 1200 rpm, PTO transmission i = 1.0.

<sup>3</sup> Based on lifting arms under an angle of 15°.





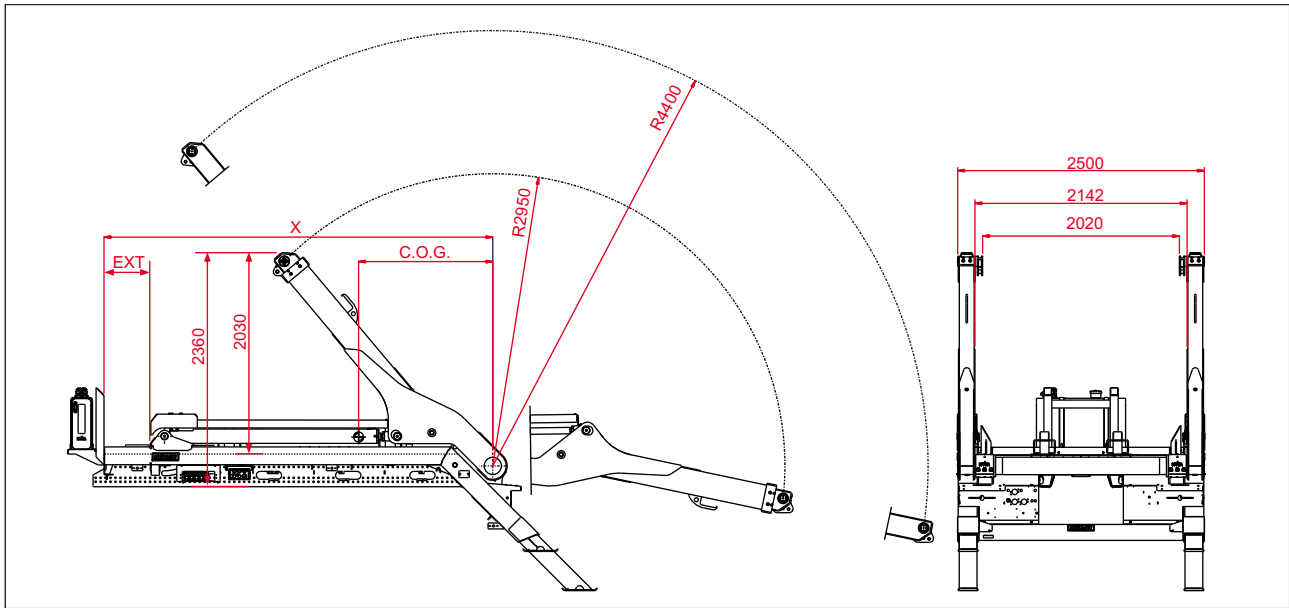
TYPE: XL= 1450 mm	TS2012TA XL	TS2012TA XL + 250 EXT	TS2012TA XL + 450 EXT	TS2012TA XL + 650 EXT	TS2012TA XL + 850 EXT	TS2012TA XL + 1350 EXT
<b>X (mm)</b>	3.470	3.720	3.920	4.120	4.320	4.820
<b>Lifting capacity (Kg)</b>						
Arm length 2950 mm	12.000	12.000	12.000	12.000	12.000	12.000
Arm length 4400 mm <sup>3</sup>	8.000	8.000	8.000	8.000	8.000	8.000
<b>Lifting strength 800mm below ground level (Kg)</b>						
Arm length 2950 mm	8.200	8.200	8.200	8.200	8.200	8.200
Arm length 4400 mm <sup>3</sup>	5.400	5.400	5.400	5.400	5.400	5.400
<b>Approx. Useable loading capacity (depending on chassis height) (Kg)</b>	±12.000	±12.000	±12.000	±12.000	±12.000	±12.000
<b>Standard weight (Kg)<sup>1</sup></b>	±2.875	±2.955	±3.025	±3.035	±3.040	±3.070
<b>C.O.G. (mm)</b>	±1.355	±1.425	±1.460	±1.505	±1.550	±1.650
<b>Pick up -time<sup>2</sup> (s)</b>	24	24	24	24	24	24
<b>Unloading-time<sup>2</sup> (s)</b>	32	32	32	32	32	32
<b>Jack legs out/in<sup>2</sup> (s)</b>	4	4	4	4	4	4
<b>Telescopic arm out/in<sup>2</sup> (s)</b>	11	11	11	11	11	11
<b>Fast off load empty container<sup>2</sup> (s)</b>	15	15	15	15	15	15

<sup>1</sup> Estimation based on a standard system, filled with oil, incl. sub frame, excl options.

<sup>2</sup> Estimation based on: PTO type C, pump 80 l/min., motor 1200 rpm, PTO transmission i = 1.0.

<sup>3</sup> Based on lifting arms under an angle of 15°.





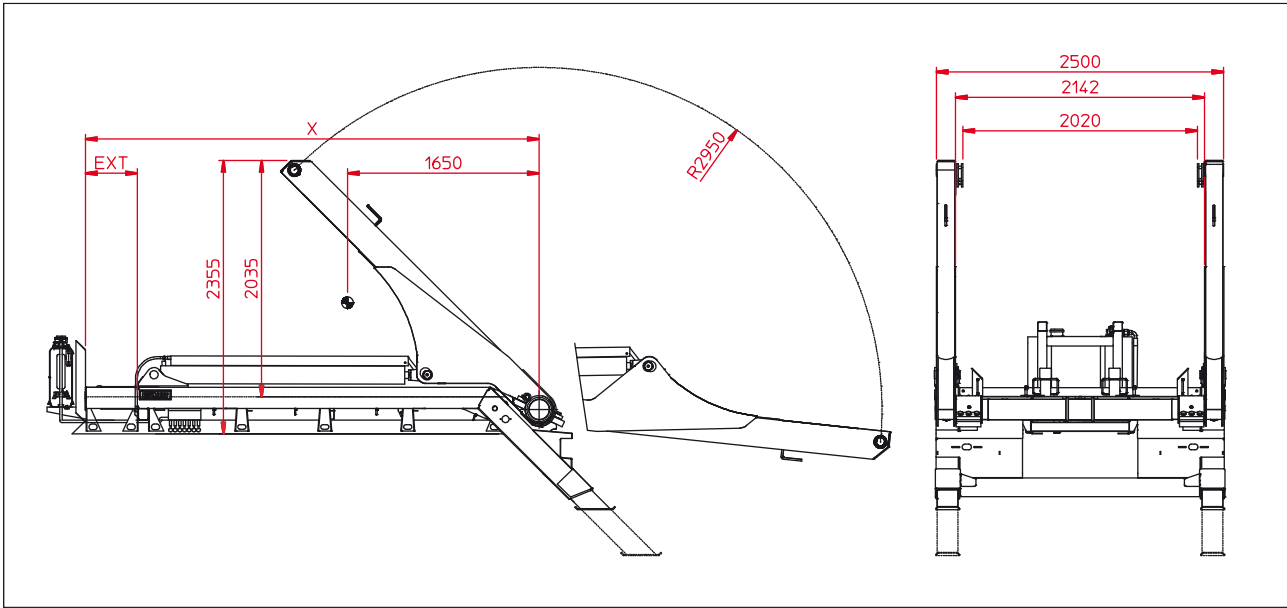
TYPE:	TS2012TAZ	TS2012TAZ + 250 EXT	TS2012TAZ + 450 EXT	TS2012TAZ + 650 EXT	TS2012TAZ + 850 EXT	TS2012TAZ + 1350 EXT
<b>X (mm)</b>	3.470	3.720	3.920	4.120	4.320	4.820
<b>Lifting capacity (Kg)</b>						
Arm length 2950 mm	12.000	12.000	12.000	12.000	12.000	12.000
Arm length 4400 mm <sup>3</sup>	8.000	8.000	8.000	8.000	8.000	8.000
<b>Lifting strength 800mm below ground level (Kg)</b>						
Arm length 2950 mm	8.200	8.200	8.200	8.200	8.200	8.200
Arm length 4400 mm <sup>3</sup>	5.400	5.400	5.400	5.400	5.400	5.400
<b>Approx. Useable loading capacity (depending on chassis height) (Kg)</b>	±12.000	±12.000	±12.000	±12.000	±12.000	±12.000
<b>Standard weight (Kg)<sup>1</sup></b>	±2.835	±2.915	±2.985	±2.995	±3.000	±3.030
<b>C.O.G. (mm)</b>	±1.340	±1.410	±1.445	±1.490	±1.535	±1.635
<b>Pick up -time<sup>2</sup> (s)</b>	24	24	24	24	24	24
<b>Unloading-time<sup>2</sup> (s)</b>	32	32	32	32	32	32
<b>Jack legs out/in<sup>2</sup> (s)</b>	4	4	4	4	4	4
<b>Telescopic arm out/in<sup>2</sup> (s)</b>	11	11	11	11	11	11
<b>Fast off load empty container<sup>2</sup> (s)</b>	15	15	15	15	15	15

<sup>1</sup> Estimation based on a standard system, filled with oil, incl. sub frame, excl options.

<sup>2</sup> Estimation based on: PTO type C, pump 80 l/min., motor 1200 rpm, PTO transmission i = 1.0.

<sup>3</sup> Based on lifting arms under an angle of 15°.





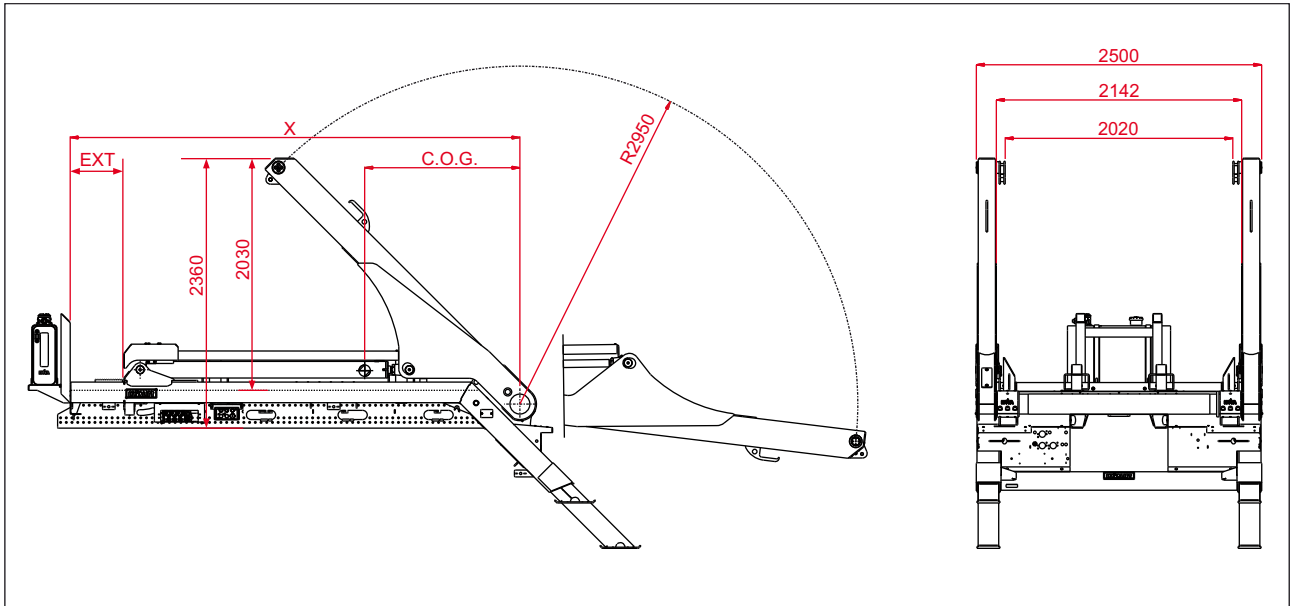
TYPE:	NG2014 XL	NG2014 XL + 250 EXT	NG2014 XL + 450 EXT	NG2014 XL + 650 EXT	NG2014 XL + 850 EXT	NG2014 XL + 1350 EXT
X (mm)	3.470	3.720	3.920	4.120	4.320	4.820
Lifting capacity from ground level (Kg)	14.000	14.000	14.000	14.000	14.000	14.000
Lifting strength 800mm below ground level (Kg)	8.750	8.750	8.750	8.750	8.750	8.750
Approx. Useable loading capacity (depending on chassis height) (Kg)	±14.000	±14.000	±14.000	±14.000	±14.000	±14.000
Standard weight (Kg) <sup>1</sup>	±2.670	±2.750	±2.770	±2.790	±2.805	±2.950
Pick up -time <sup>2</sup> (s)	33	33	33	33	33	33
Unloading-time <sup>2</sup> (s)	27	27	27	27	27	27
Jack legs out/in <sup>2</sup> (s)	8	8	8	8	8	8
Fast off load empty container <sup>3</sup> (s)	16	16	16	16	16	16

<sup>1</sup> Estimation based on a standard system, filled with oil, incl. sub frame, excl options.

<sup>2</sup> Estimation based on: PTO type C, pump 80 l/min., motor 1200 rpm, PTO transmission i = 1.0.

<sup>3</sup> Fast unloading requires optional fast-lift off (option 6.5)





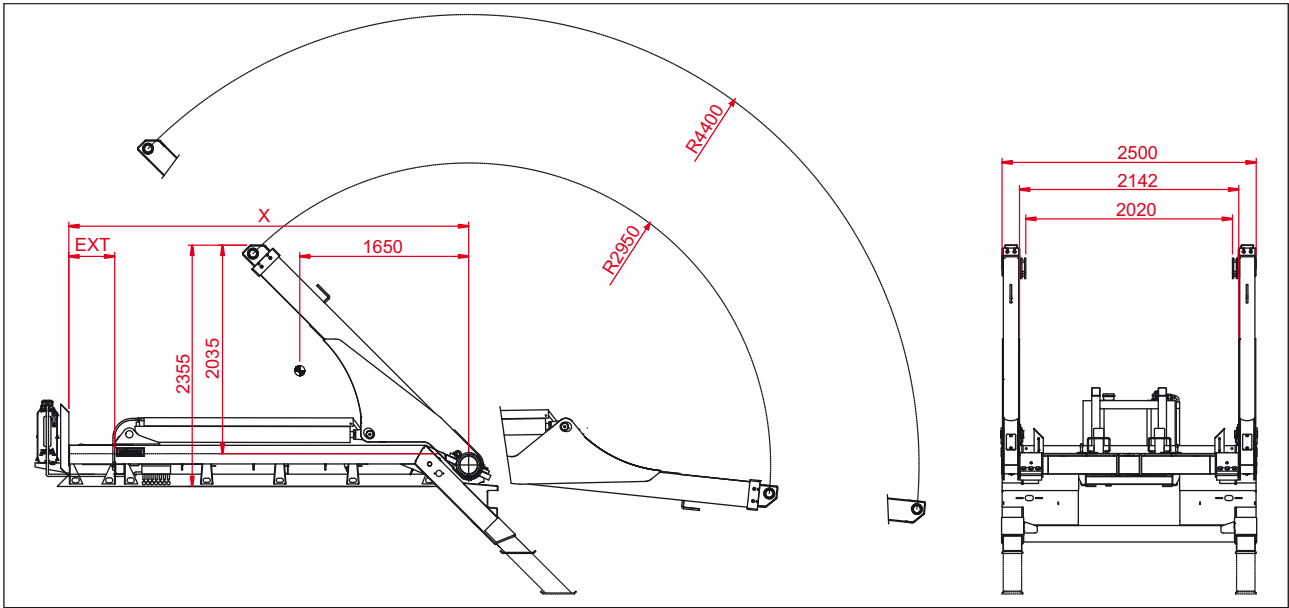
TYPE:	TS2014 XL	TS2014 XL + 250 EXT	TS2014 XL + 450 EXT	TS2014 XL + 650 EXT	TS2014 XL + 850 EXT	TS2014 XL + 1350 EXT
X (mm)	3.470	3.720	3.920	4.120	4.320	4.820
Lifting capacity from ground level (Kg)	14.000	14.000	14.000	14.000	14.000	14.000
Lifting strength 800mm below ground level (Kg)	9.600	9.600	9.600	9.600	9.600	9.600
Approx. Useable loading capacity (depending on chassis height) (Kg)	±14.000	±14.000	±14.000	±14.000	±14.000	±14.000
Standard weight (Kg) <sup>1</sup>	±2.670	±2.750	±2.770	±2.790	±2.805	±2.950
C.O.G. (mm)	±1.405	±1.485	±1.520	±1.570	±1.615	±1.730
Pick up -time <sup>2</sup> (s)	24	24	24	24	24	24
Unloading-time <sup>2</sup> (s)	32	32	32	32	32	32
Jack legs out/in <sup>2</sup> (s)	4	4	4	4	4	4
Fast off load empty container <sup>3</sup> (s)	15	15	15	15	15	15

<sup>1</sup> Estimation based on a standard system, filled with oil, incl. sub frame, excl options.

<sup>2</sup> Estimation based on: PTO type C, pump 80 l/min., motor 1200 rpm, PTO transmission i = 1.0.

<sup>3</sup> Based on lifting arms under an angle of 15°.





TYPE: XL= 1450 mm	NG2014TA XL	NG2014TA XL + 250 EXT	NG2014TA XL + 450 EXT	NG2014TA XL + 650 EXT	NG2014TA XL + 850 EXT	NG2014TA XL + 1350 EXT
<b>X (mm)</b>	3.470	3.720	3.920	4.120	4.320	4.820
<b>Lifting capacity (Kg)</b> Arm length 2950 mm Arm length 4400 mm <sup>3</sup>	14.000 9.300	14.000 9.300	14.000 9.300	14.000 9.300	14.000 9.300	14.000 9.300
<b>Lifting strength 800mm below ground level (Kg)</b> Arm length 2950 mm Arm length 4400 mm <sup>3</sup>	9.500 6.300	9.500 6.300	9.500 6.300	9.500 6.300	9.500 6.300	9.500 6.300
<b>Approx. Useable loading capacity (depending on chassis height) (Kg)</b>	±14.000	±14.000	±14.000	±14.000	±14.000	±14.000
<b>Standard weight (Kg)<sup>1</sup></b>	±2.875	±2.955	±3.025	±3.035	±3.040	±3.070
<b>Pick up -time<sup>2</sup> (s)</b>	33	33	33	33	33	33
<b>Unloading-time<sup>2</sup> (s)</b>	27	27	27	27	27	27
<b>Jack legs out/in<sup>2</sup> (s)</b>	8	8	8	8	8	8
<b>Telescopic arm out/in<sup>2</sup> (s)</b>	11	11	11	11	11	11
<b>Fast off load empty container<sup>2</sup> (s)</b>	16	16	16	16	16	16

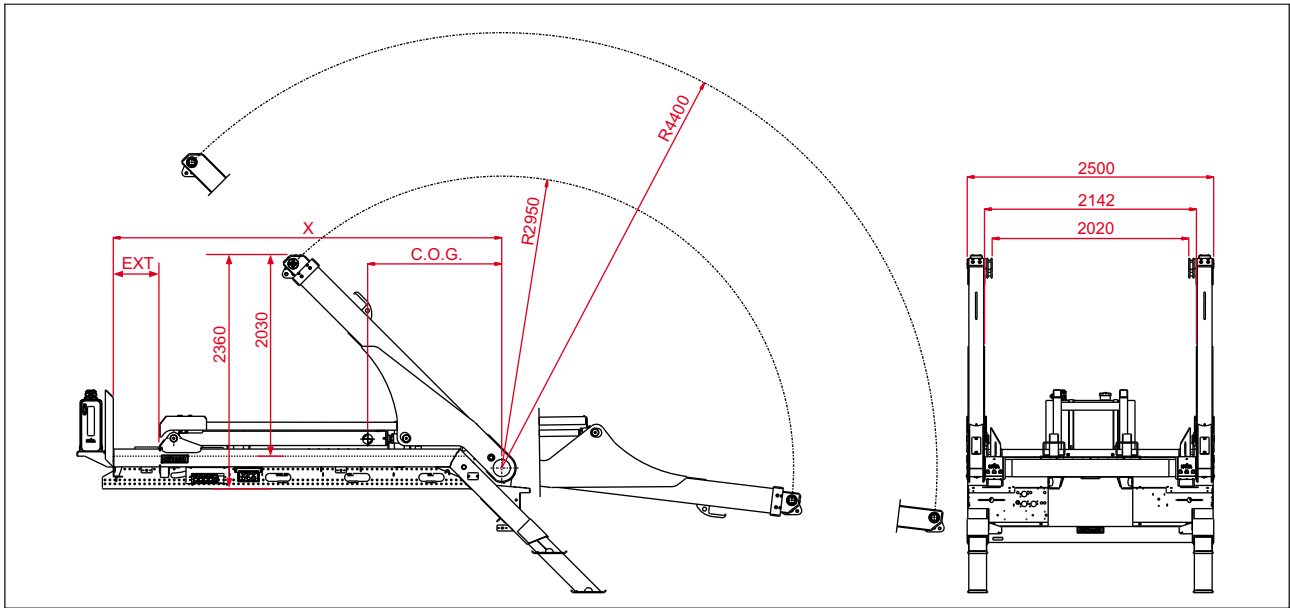
<sup>1</sup> Estimation based on a standard system, filled with oil, incl. sub frame, excl options.

<sup>2</sup> Estimation based on: PTO type C, pump 80 l/min., motor 1200 rpm, PTO transmission i = 1.0.

<sup>3</sup> Based on lifting arms under an angle of 15°.







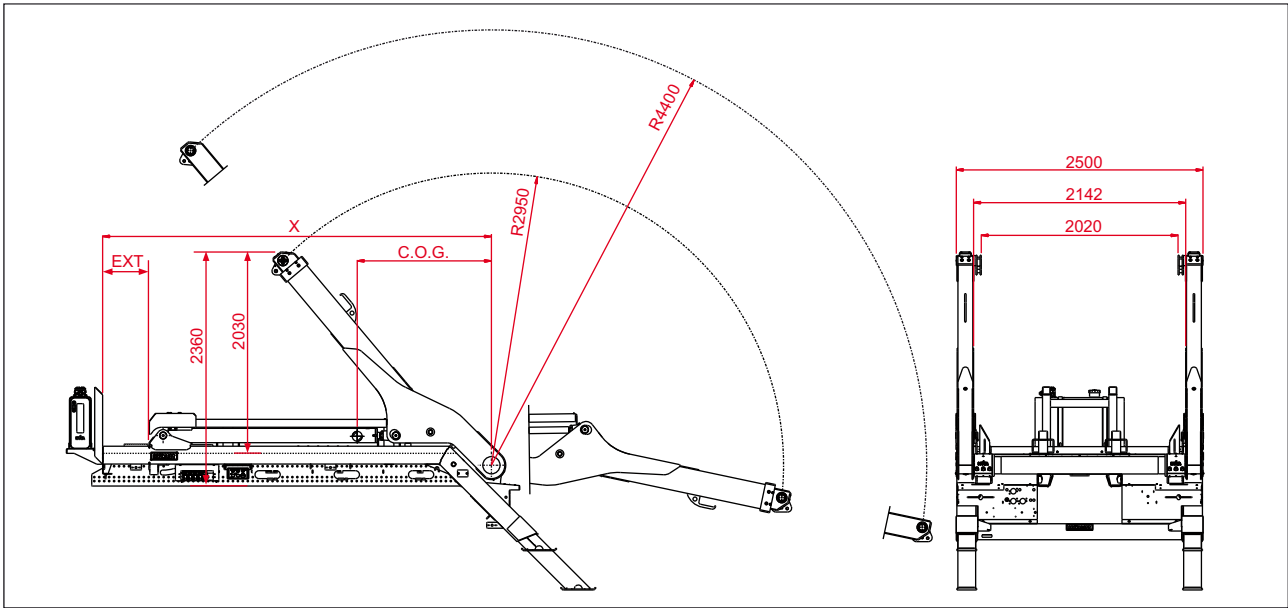
TYPE: XL= 1450 mm	TS2014TA XL	TS2014TA XL + 250 EXT	TS2014TA XL + 450 EXT	TS2014TA XL + 650 EXT	TS2014TA XL + 850 EXT	TS2014TA XL + 1350 EXT
<b>X (mm)</b>	3.470	3.720	3.920	4.120	4.320	4.820
<b>Lifting capacity (Kg)</b> Arm length 2950 mm Arm length 4400 mm <sup>3</sup>	14.000 9.300	14.000 9.300	14.000 9.300	14.000 9.300	14.000 9.300	14.000 9.300
<b>Lifting strength 800mm below ground level (Kg)</b> Arm length 2950 mm Arm length 4400 mm <sup>3</sup>	9.500 6.300	9.500 6.300	9.500 6.300	9.500 6.300	9.500 6.300	9.500 6.300
<b>Approx. Useable loading capacity (depending on chassis height) (Kg)</b>	±14.000	±14.000	±14.000	±14.000	±14.000	±14.000
<b>Standard weight (Kg)<sup>1</sup></b>	±2.875	±2.955	±3.025	±3.035	±3.040	±3.070
<b>C.O.G. (mm)</b>	±1.355	±1.425	±1.460	±1.505	±1.550	±1.650
<b>Pick up -time<sup>2</sup> (s)</b>	24	24	24	24	24	24
<b>Unloading-time<sup>2</sup> (s)</b>	32	32	32	32	32	32
<b>Jack legs out/in<sup>2</sup> (s)</b>	4	4	4	4	4	4
<b>Telescopic arm out/in<sup>2</sup> (s)</b>	11	11	11	11	11	11
<b>Fast off load empty container<sup>2</sup> (s)</b>	15	15	15	15	15	15

<sup>1</sup> Estimation based on a standard system, filled with oil, incl. sub frame, excl options.

<sup>2</sup> Estimation based on: PTO type C, pump 80 l/min., motor 1200 rpm, PTO transmission i = 1.0.

<sup>3</sup> Based on lifting arms under an angle of 15°.





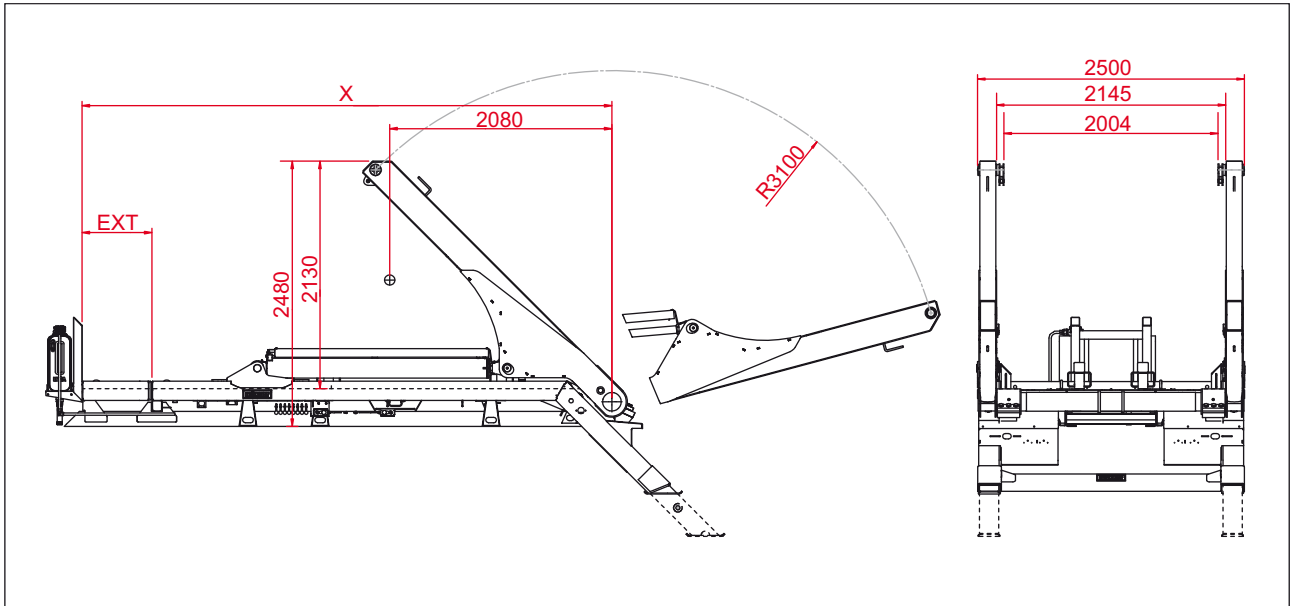
TYPE:	TS2014TAZ	TS2014TAZ + 250 EXT	TS2014TAZ + 450 EXT	TS2014TAZ + 650 EXT	TS2014TAZ + 850 EXT	TS2014TAZ + 1350 EXT
X (mm)	3.470	3.720	3.920	4.120	4.320	4.820
Lifting capacity (Kg)						
Arm length 2950 mm	14.000	14.000	14.000	14.000	14.000	14.000
Arm length 4400 mm <sup>3</sup>	9.300	9.300	9.300	9.300	9.300	9.300
Lifting strength 800mm below ground level (Kg)						
Arm length 2950 mm	9.500	9.500	9.500	9.500	9.500	9.500
Arm length 4400 mm <sup>3</sup>	6.300	6.300	6.300	6.300	6.300	6.300
Approx. Useable loading capacity (depending on chassis height) (Kg)	±14.000	±14.000	±14.000	±14.000	±14.000	±14.000
Standard weight (Kg) <sup>1</sup>	±2.835	±2.915	±2.985	±2.995	±3.000	±3.030
C.O.G. (mm)	±1.340	±1.410	±1.445	±1.490	±1.535	±1.635
Pick up -time <sup>2</sup> (s)	24	24	24	24	24	24
Unloading-time <sup>2</sup> (s)	32	32	32	32	32	32
Jack legs out/in <sup>2</sup> (s)	4	4	4	4	4	4
Telescopic arm out/in <sup>2</sup> (s)	11	11	11	11	11	11
Fast off load empty container <sup>2</sup> (s)	15	15	15	15	15	15

<sup>1</sup> Estimation based on a standard system, filled with oil, incl. sub frame, excl. options.

<sup>2</sup> Estimation based on: PTO type C, pump 80 l/min., motor 1200 rpm, PTO transmission i = 1.0.

<sup>3</sup> Based on lifting arms under an angle of 15°.





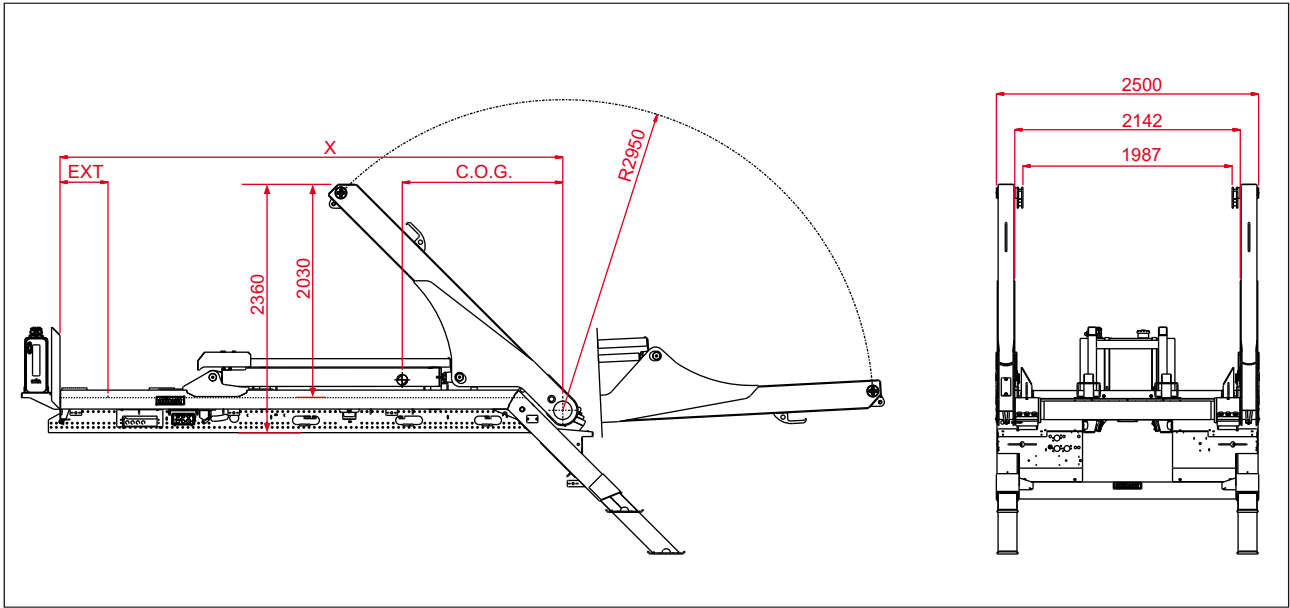
TYPE:	NG2018 XL	NG2018 XL + 250 EXT	NG2018 XL + 450 EXT	NG2018 XL + 650 EXT	NG2018 XL + 850 EXT
X (mm)	4.320	4.570	4.770	4.970	5.170
Lifting capacity from ground level (Kg)	18.000	18.000	18.000	18.000	18.000
Lifting strength 800mm below ground level (Kg)	12.500	12.500	12.500	12.500	12.500
Approx. Useable loading capacity (depending on chassis height) (Kg)	±18.000	±18.000	±18.000	±18.000	±18.000
Standard weight (Kg) <sup>1</sup>	±3.320	±3.400	±3.420	±3.440	±3.445
Pick up -time <sup>2</sup> (s)	40	40	40	40	40
Unloading-time <sup>2</sup> (s)	32	32	32	32	32
Jack legs out/in <sup>2</sup> (s)	8	8	8	8	8
Fast off load empty container <sup>3</sup> (s)	16	16	16	16	16

<sup>1</sup> Estimation based on a standard system, filled with oil, incl. sub frame, excl options.

<sup>2</sup> Estimation based on: PTO type C, pump 80 l/min., motor 1200 rpm, PTO transmission i = 1.0.

<sup>3</sup> Fast unloading requires optional fast-lift off (option 6.5)





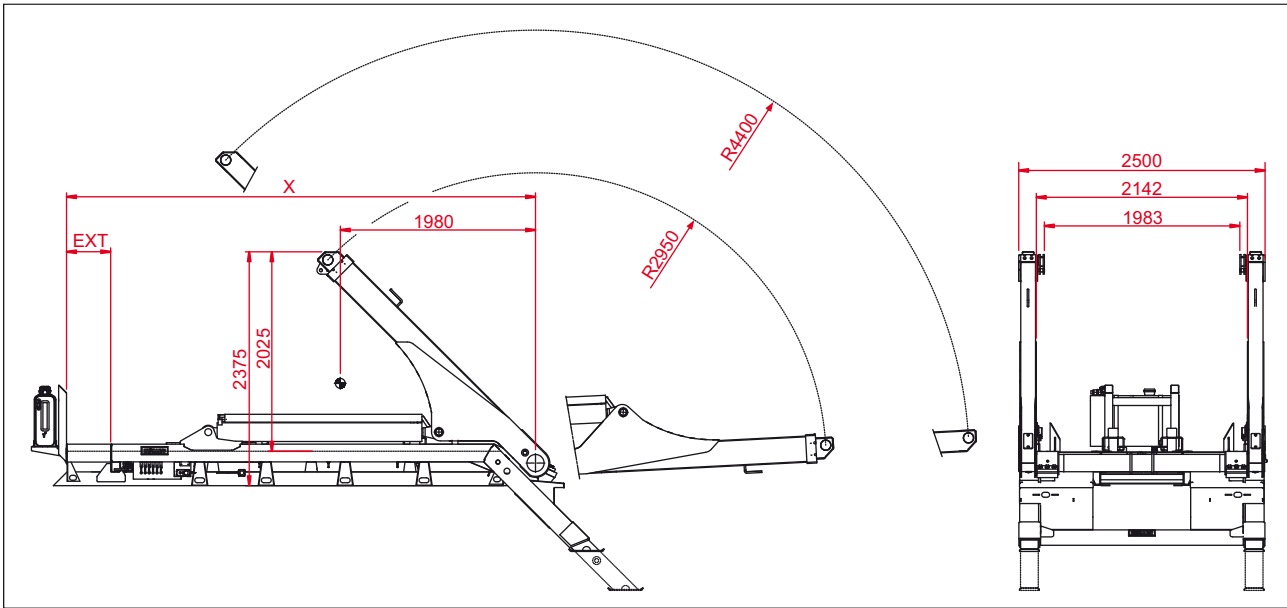
TYPE:	TS2018 XL	TS2018 XL + 250 EXT	TS2018 XL + 450 EXT	TS2018 XL + 650 EXT	TS2018 XL + 850 EXT	TS2018 XL + 1350 EXT
<b>X (mm)</b>	4.320	4.570	4.770	4.970	5.170	5.670
<b>Lifting capacity from ground level (Kg)</b>	18.000	18.000	18.000	18.000	18.000	18.000
<b>Lifting strength 800mm below ground level (Kg)</b>	12.000	12.000	12.000	12.000	12.000	12.000
<b>Approx. Useable loading capacity (depending on chassis height) (Kg)</b>	±18.000	±18.000	±18.000	±18.000	±18.000	±18.000
<b>Standard weight (Kg) <sup>1</sup></b>	±3.320	±3.400	±3.420	±3.440	±3.445	±3.475
<b>C.O.G. (mm)</b>	±1.590	±1.645	±1.685	±1.730	±1.790	±1.910
<b>Pick up -time<sup>2</sup> (s)</b>	32	32	32	32	32	32
<b>Unloading-time<sup>2</sup> (s)</b>	42	42	42	42	42	42
<b>Jack legs out/in<sup>2</sup> (s)</b>	4	4	4	4	4	4
<b>Fast off load empty container<sup>3</sup> (s)</b>	15	15	15	15	15	15

<sup>1</sup> Estimation based on a standard system, filled with oil, incl. sub frame, excl options.

<sup>2</sup> Estimation based on: PTO type C, pump 80 l/min., motor 1200 rpm, PTO transmission i = 1.0.

<sup>3</sup> Based on lifting arms under an angle of 15°.





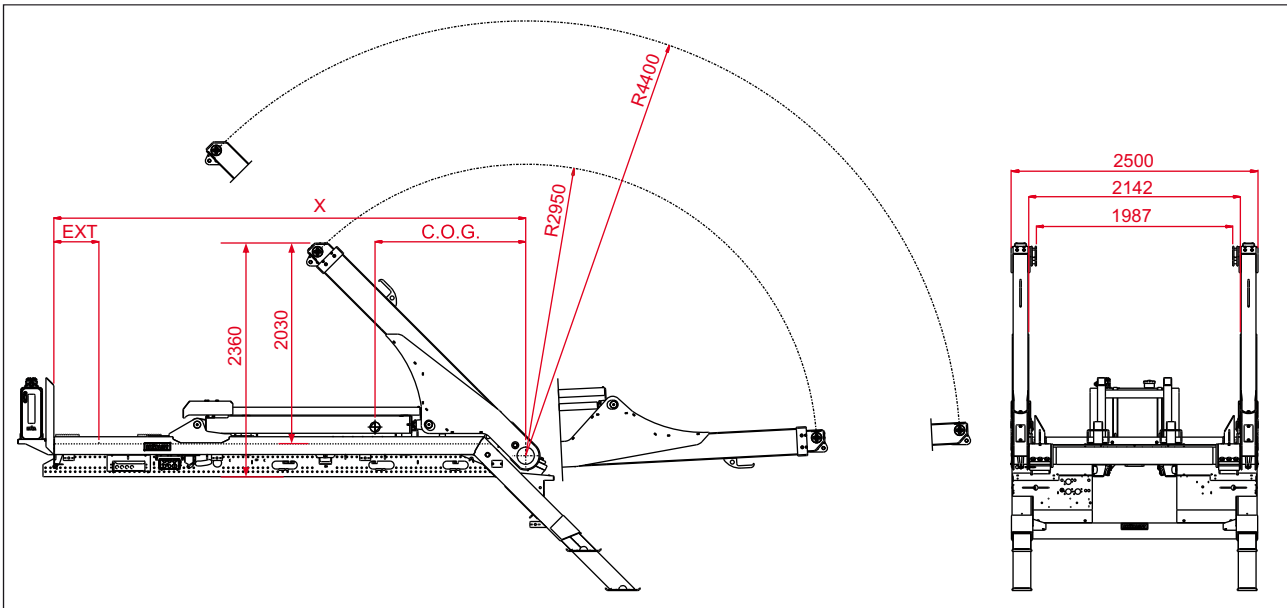
TYPE: XL= 1450 mm	NG2018TA XL	NG2018TA XL + 250 EXT	NG2018TA XL + 450 EXT	NG2018TA XL + 650 EXT	NG2018TA XL + 850 EXT
<b>X (mm)</b>	4.320	4.570	4.770	4.970	5.170
<b>Lifting capacity (Kg)</b> Arm length 2950 mm Arm length 4400 mm <sup>3</sup>	18.000 12.000	18.000 12.000	18.000 12.000	18.000 12.000	18.000 12.000
<b>Lifting strength 800mm below ground level (Kg)</b> Arm length 2950 mm Arm length 4400 mm <sup>3</sup>	12.500 8.250	12.500 8.250	12.500 8.250	12.500 8.250	12.500 8.250
<b>Approx. Useable loading capacity (depending on chassis height) (Kg)</b>	±18.000	±18.000	±18.000	±18.000	±18.000
<b>Standard weight (Kg)<sup>1</sup></b>	±3.550	±3.630	±3.650	±3.670	±3.685
<b>Pick up -time<sup>2</sup> (s)</b>	40	40	40	40	40
<b>Unloading-time<sup>2</sup> (s)</b>	32	32	32	32	32
<b>Jack legs out/in<sup>2</sup> (s)</b>	8	8	8	8	8
<b>Telescopic arm out/in<sup>2</sup> (s)</b>	11	11	11	11	11
<b>Fast off load empty container<sup>3</sup> (s)</b>	16	16	16	16	16

<sup>1</sup> Estimation based on a standard system, filled with oil, incl. sub frame, excl options.

<sup>2</sup> Estimation based on: PTO type C, pump 80 l/min., motor 1200 rpm, PTO transmission i = 1.0.

<sup>3</sup> Based on lifting arms under an angle of 15°.





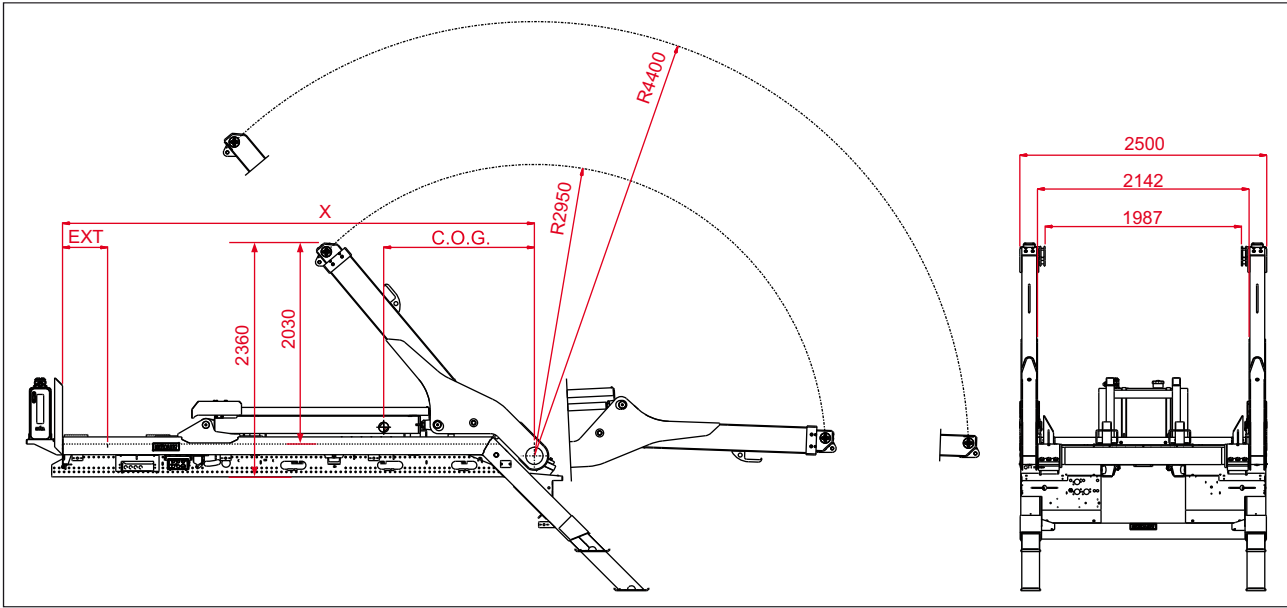
TYPE: XL= 1450 mm	TS2018TA XL	TS2018TA XL + 250 EXT	TS2018TA XL + 450 EXT	TS2018TA XL + 650 EXT	TS2018TA XL + 850 EXT	TS2018TA XL + 1350 EXT
<b>X (mm)</b>	4.320	4.570	4.770	4.970	5.170	5.670
<b>Lifting capacity (Kg)</b>						
Arm length 2950 mm	18.000	18.000	18.000	18.000	18.000	18.000
Arm length 4400 mm <sup>3</sup>	12.000	12.000	12.000	12.000	12.000	12.000
<b>Lifting strength 800mm below ground level (Kg)</b>						
Arm length 2950 mm	12.500	12.500	12.500	12.500	12.500	12.500
Arm length 4400 mm <sup>3</sup>	8.250	8.250	8.250	8.250	8.250	8.250
<b>Approx. Useable loading capacity (depending on chassis height) (Kg)</b>	±18.000	±18.000	±18.000	±18.000	±18.000	±18.000
<b>Standard weight (Kg)<sup>1</sup></b>	±3.550	±3.630	±3.650	±3.670	±3.685	±3.715
<b>C.O.G. (mm)</b>	±1.525	±1.575	±1.615	±1.655	±1.715	±1.820
<b>Pick up -time<sup>2</sup> (s)</b>	32	32	32	32	32	32
<b>Unloading-time<sup>2</sup> (s)</b>	42	42	42	42	42	42
<b>Jack legs out/in<sup>2</sup> (s)</b>	4	4	4	4	4	4
<b>Telescopic arm out/in<sup>2</sup> (s)</b>	11	11	11	11	11	11
<b>Fast off load empty container<sup>2</sup> (s)</b>	15	15	15	15	15	15

<sup>1</sup> Estimation based on a standard system, filled with oil, incl. sub frame, excl options.

<sup>2</sup> Estimation based on: PTO type C, pump 80 l/min., motor 1200 rpm, PTO transmission i = 1.0.

<sup>3</sup> Based on lifting arms under an angle of 15°.





TYPE:	TS2018TAZ	TS2018TAZ + 250 EXT	TS2018TAZ + 450 EXT	TS2018TAZ + 650 EXT	TS2018TAZ + 850 EXT	TS2018TAZ + 1350 EXT
<b>X (mm)</b>	4.320	4.570	4.770	4.970	5.170	5.670
<b>Lifting capacity (Kg)</b>						
Arm length 2950 mm	18.000	18.000	18.000	18.000	18.000	18.000
Arm length 4400 mm <sup>3</sup>	12.000	12.000	12.000	12.000	12.000	12.000
<b>Lifting strength 800mm below ground level (Kg)</b>						
Arm length 2950 mm	12.500	12.500	12.500	12.500	12.500	12.500
Arm length 4400 mm <sup>3</sup>	8.250	8.250	8.250	8.250	8.250	8.250
<b>Approx. Useable loading capacity (depending on chassis height) (Kg)</b>	±18.000	±18.000	±18.000	±18.000	±18.000	±18.000
<b>Standard weight (Kg)<sup>1</sup></b>	±3.510	±3.590	±3.610	±3.630	±3.645	±3.675
<b>C.O.G. (mm)</b>	±1.565	±1.615	±1.655	±1.695	±1.750	±1.860
<b>Pick up -time<sup>2</sup> (s)</b>	32	32	32	32	32	32
<b>Unloading-time<sup>2</sup> (s)</b>	42	42	42	42	42	42
<b>Jack legs out/in<sup>2</sup> (s)</b>	4	4	4	4	4	4
<b>Telescopic arm out/in<sup>2</sup> (s)</b>	11	11	11	11	11	11
<b>Fast off load empty container<sup>2</sup> (s)</b>	15	15	15	15	15	15

<sup>1</sup> Estimation based on a standard system, filled with oil, incl. sub frame, excl options.

<sup>2</sup> Estimation based on: PTO type C, pump 80 l/min., motor 1200 rpm, PTO transmission i = 1.0.

<sup>3</sup> Based on lifting arms under an angle of 15°.



**130 countries**  
**+3,000 employees**  
**25,000 customers**  
**37 subsidiaries**  
**12 production facilities**



**Hyva is a leading provider of innovative and highly efficient transport solutions for commercial vehicles used in transport, construction, mining, materials handling and environmental service industries.**

**Founded in 1979 in the Netherlands, the company has a global presence with 37 fully owned subsidiaries, extraordinary service coverage and 12 manufacturing facilities in Brazil, China, Europe and India.**

For more information on Hyva, please visit [www.hyva.com](http://www.hyva.com)

or follow us on:



**Hyva Holding B.V.**  
Antonie van Leeuwenhoekweg 37  
2408 AK Alphen aan den Rijn  
The Netherlands  
Telephone: +31 (0)172 - 42 35 55  
Telefax: +31 (0)172 - 42 08 80  
info@hyva.com  
www.hyva.com



Quality and  
environmental certified

DEALER STAMP